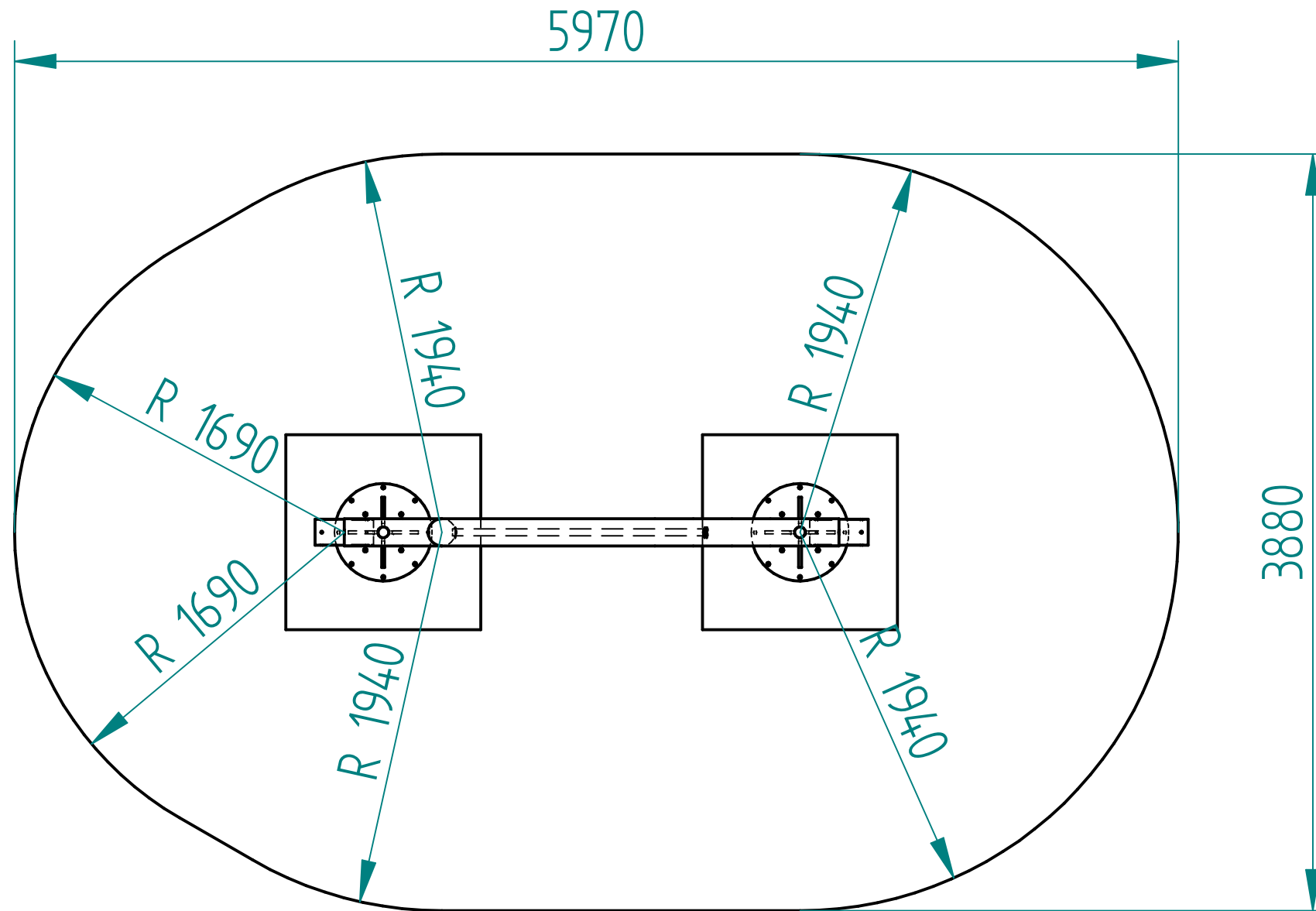



# Fallraum gemäß DIN EN 1176 und 16630



	NAME	DATE			
DRAWN	Elena	12/12/24			TITLE CB_AF_Reckstange_900
CHECKED					
ENG APPR					
MGR APPR					
UNLESS OTHERWISE SPECIFIED DIMENSIONS ARE IN MILLIMETERS ANGLES ±X.X° 2 PL ±X.XX 3 PL ±X.XXX			SIZE	DWG NO	REV
			A3		
			FILE NAME: CB_AF_Reckstange_900.dft		
			SCALE: 1:30	WEIGHT:	SHEET 1 OF 1