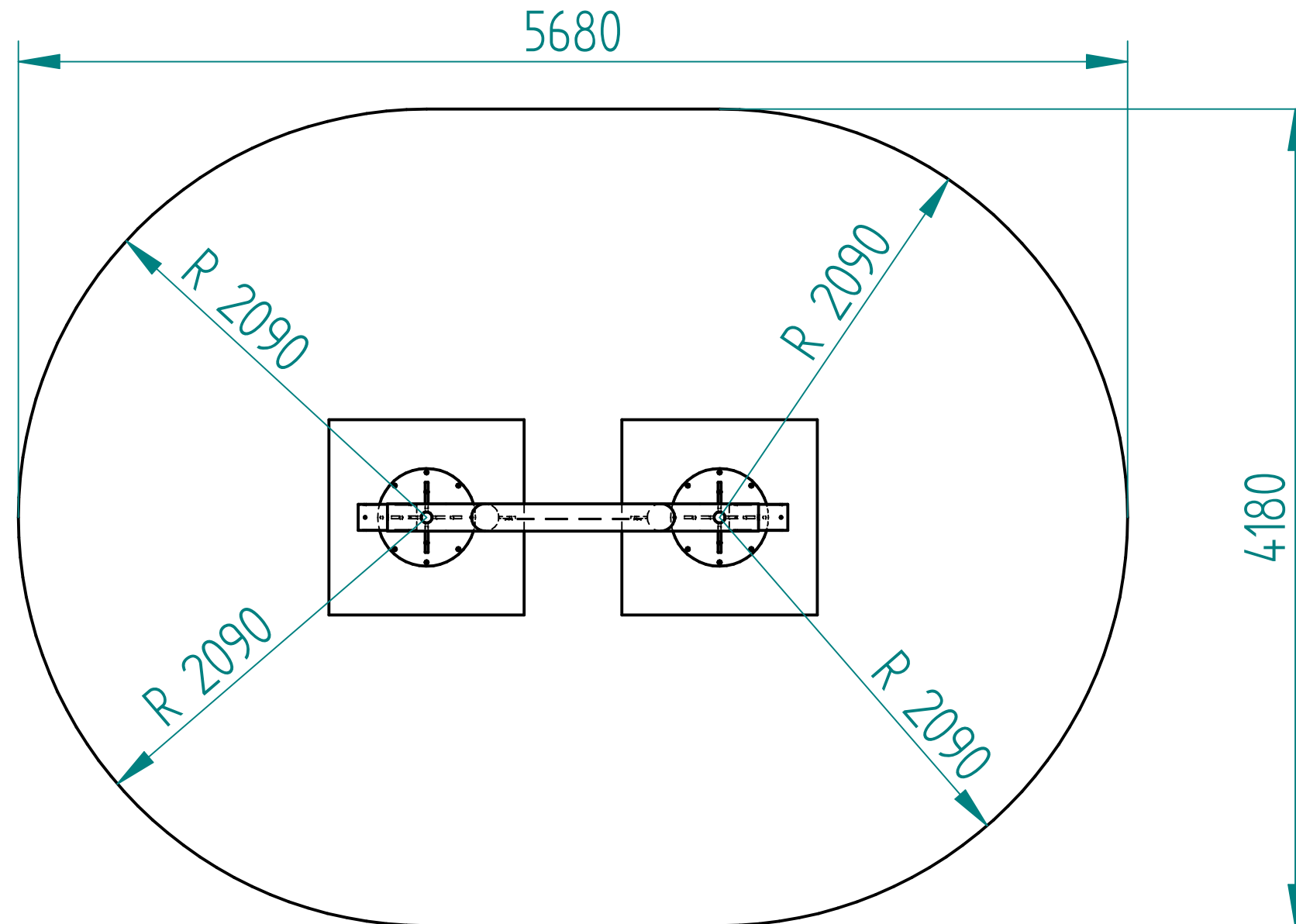



Fallraum gemäß DIN EN 1176 und 16630



	NAME	DATE			
DRAWN	Elena	12/09/24			
CHECKED					
ENG APPR					
MGR APPR			TITLE CB_AF_Aufsteller_STD		
UNLESS OTHERWISE SPECIFIED DIMENSIONS ARE IN MILLIMETERS ANGLES ±X.X° 2 PL ±X.XX 3 PL ±X.XXX			SIZE A3	DWG NO	REV
			FILE NAME: CB_AF_Aufsteller_STD.dft		
			SCALE: 1:30	WEIGHT:	SHEET 1 OF 1