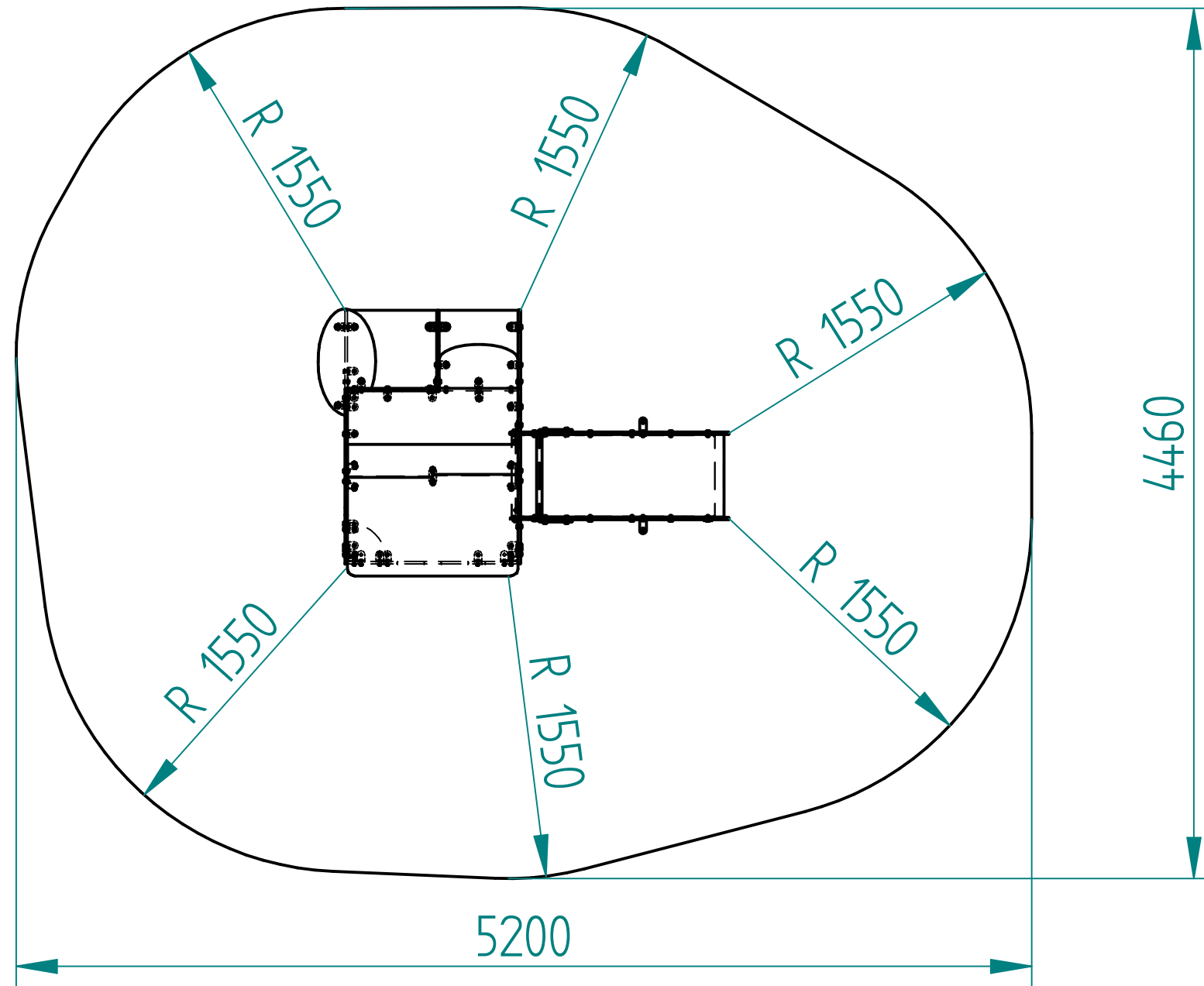



Fallraum gemäß DIN EN 1176



1:30

	NAME	DATE			
DRAWN	Elena	06/28/24			
CHECKED			Spielhaus_Baby_BA 06-0320-15		
ENG APPR			SIZE	DWG NO	REV
MGR APPR			A3		
UNLESS OTHERWISE SPECIFIED DIMENSIONS ARE IN MILLIMETERS ANGLES ±X.X° 2 PL ±X.XX 3 PL ±X.XXX			FILE NAME: Spielhaus_Baby_BA 06-0320-15.dft		
			SCALE: 1:30	WEIGHT:	SHEET 1 OF 1