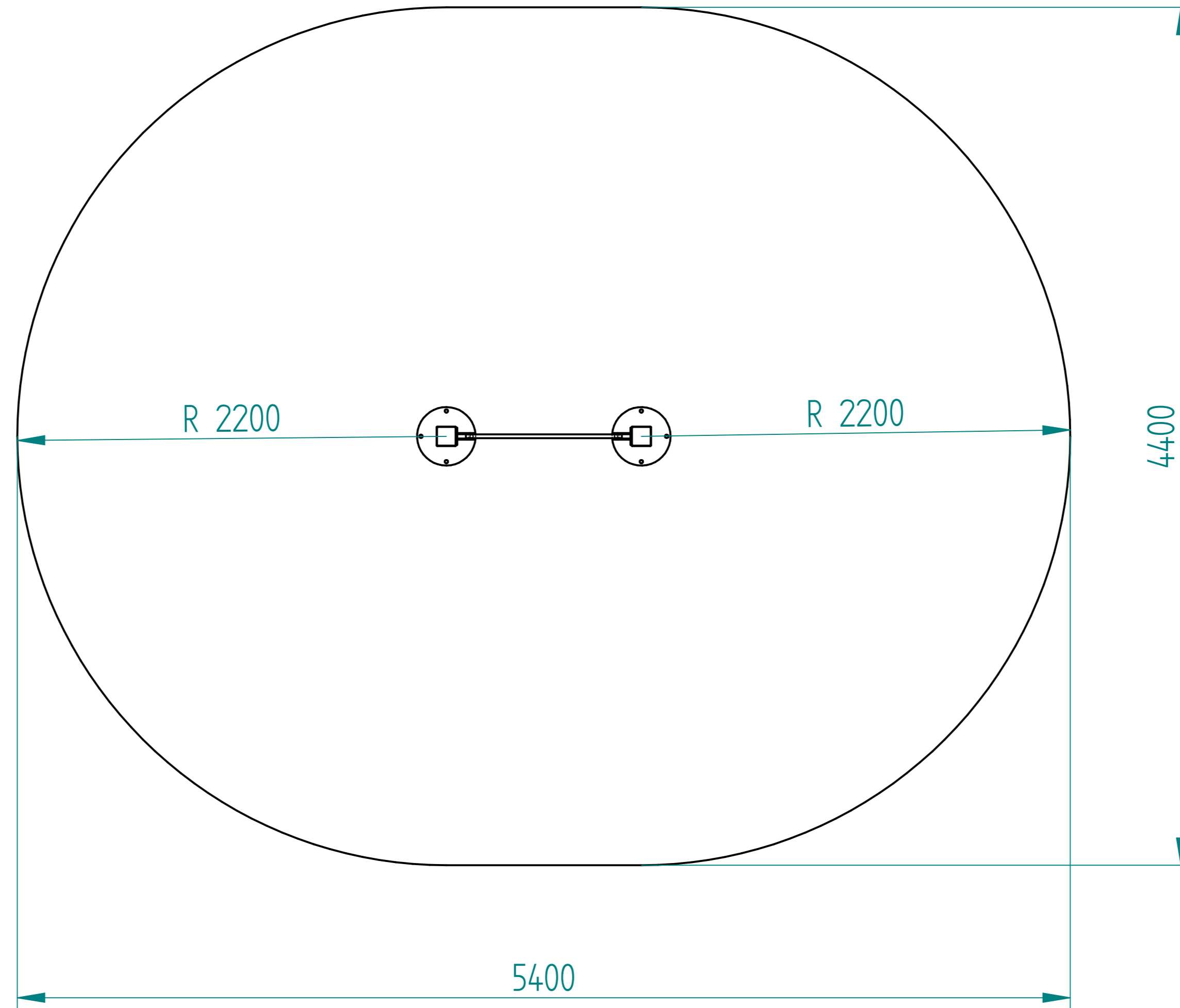



# Fallraum gemäß DIN EN 1176 und 16630



1:20

	NAME	DATE				
DRAWN	Elena	06/14/24				
CHECKED	Elena	06/14/24				
ENG APPR						
MGR APPR						
UNLESS OTHERWISE SPECIFIED DIMENSIONS ARE IN MILLIMETERS ANGLES ±XX° 2 PL ±XXX 3 PL ±XXXX			TITLE Modul_Handstandwand_HSW1800_800	SIZE A2	DWG NO	REV
			FILE NAME: Modul_Handstandwand_HSW1800_800.dff	SCALE:	WEIGHT:	SHEET 2 OF 2