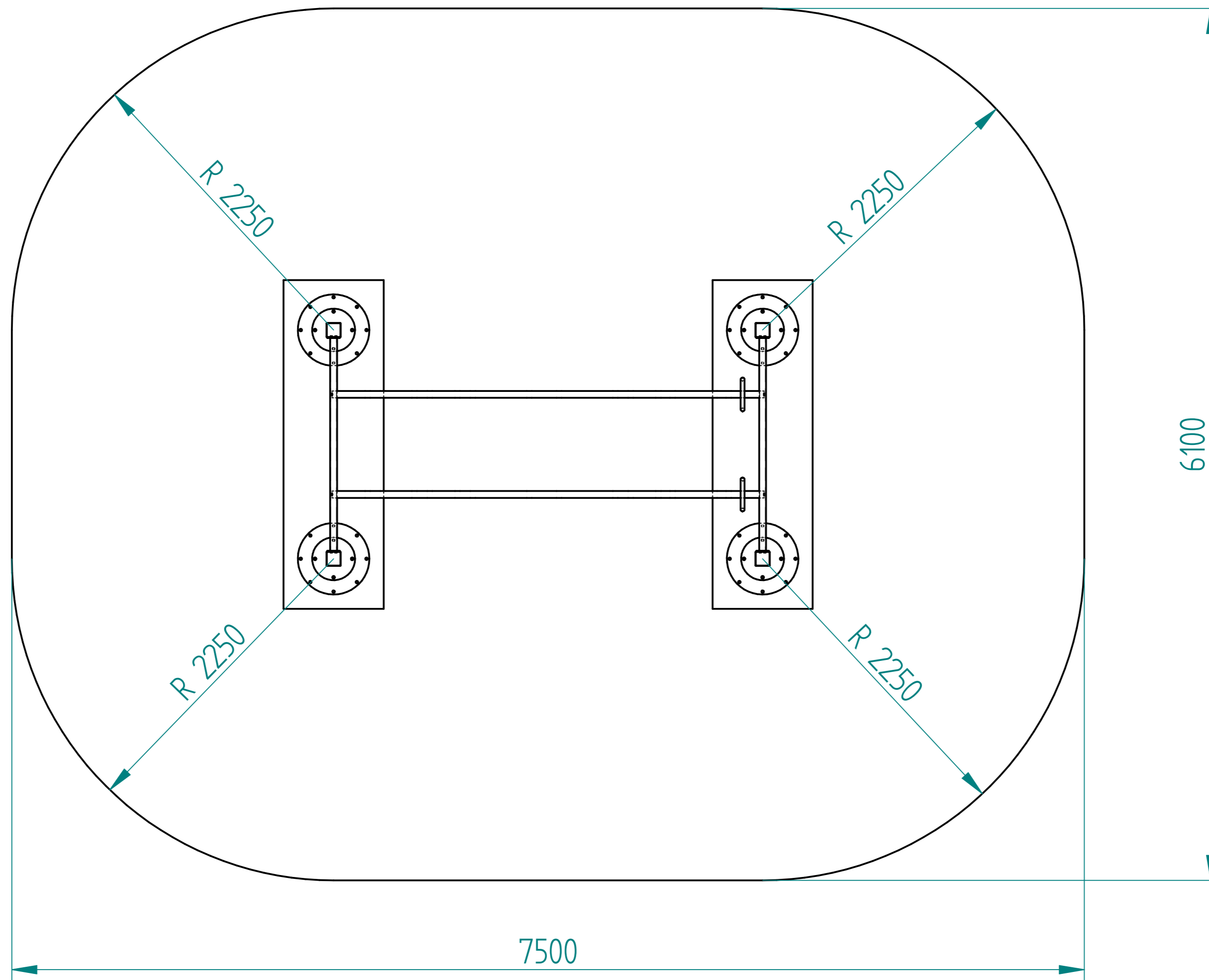



Fallraum gemäß
DIN EN 1176 und 16630



1:25

	NAME	DATE				
DRAWN	Marc	10/25/23				
CHECKED	Marc	10/25/23				
ENG APPR						
MGR APPR						
UNLESS OTHERWISE SPECIFIED DIMENSIONS ARE IN MILLIMETERS ANGLES ±XX° 2 PL ±XXX 3 PL ±XXXX			TITLE Modul MonkeyBar 1800 1700 OCR Ring	SIZE A2	DWG NO	REV
			FILE NAME: Modul_Monkeybar_3000_1700_OCR_Rings.dft	SCALE:	WEIGHT:	SHEET 3 OF 3