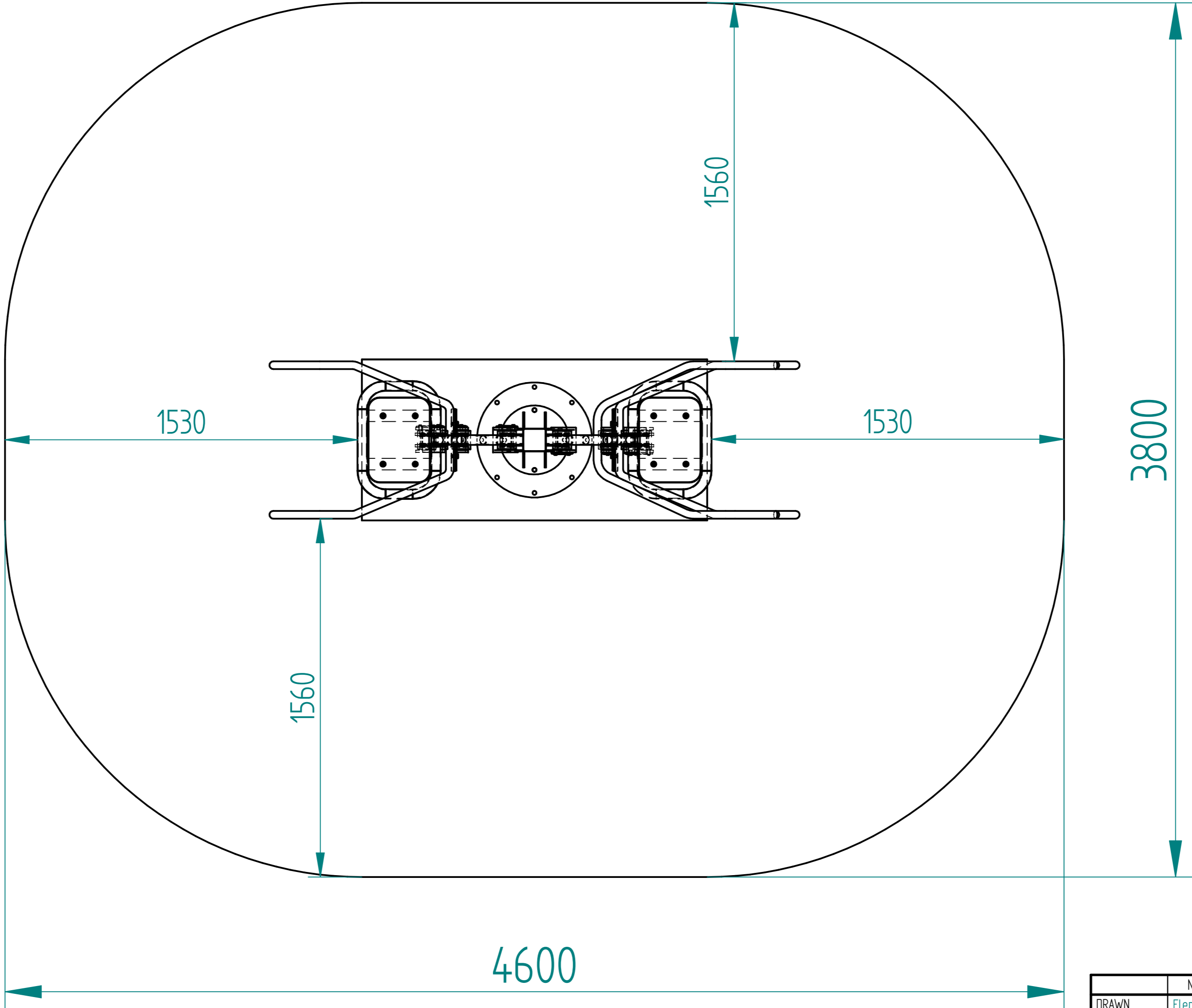


Fallraum gemäß
DIN EN 1176 und 16630



1:15

	NAME	DATE	CUSTOMBARS®		
DRAWN	Elena	03/13/24			
CHECKED	Elena	03/13/24	TITLE CB_Double_Pulltrainer		
ENG APPR					
MGR APPR			SIZE A2	DWG NO	REV
UNLESS OTHERWISE SPECIFIED DIMENSIONS ARE IN MILLIMETERS ANGLES ±XX° 2 PL ±XXX 3 PL ±XXXX			FILE NAME: CB_Double_Pulltrainer.dft		
			SCALE:	WEIGHT:	SHEET 2 OF 4