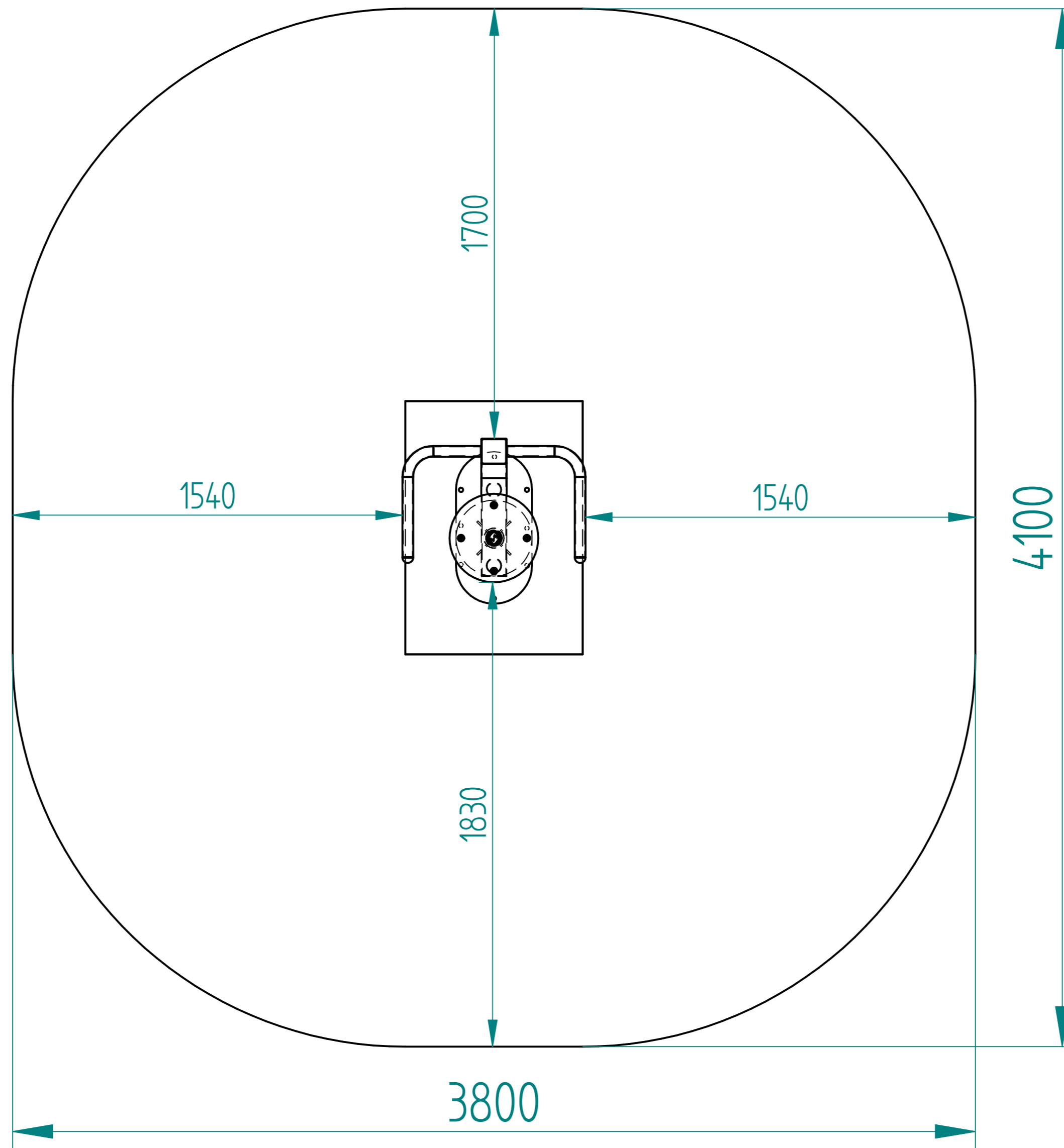


Fallraum gemäß
DIN EN 1176 und 16630



1:15

	NAME	DATE	CUSTOMBARS®		
DRAWN	Elena	03/06/24	TITLE CB_Core_Twister		
CHECKED	Elena	03/06/24			
ENG APPR					
MGR APPR					
UNLESS OTHERWISE SPECIFIED DIMENSIONS ARE IN MILLIMETERS ANGLES ±XX° 2 PL ±XXX 3 PL ±XXXX			SIZE A2	DWG NO	REV
			SCALE:	WEIGHT:	SHEET 2 OF 4