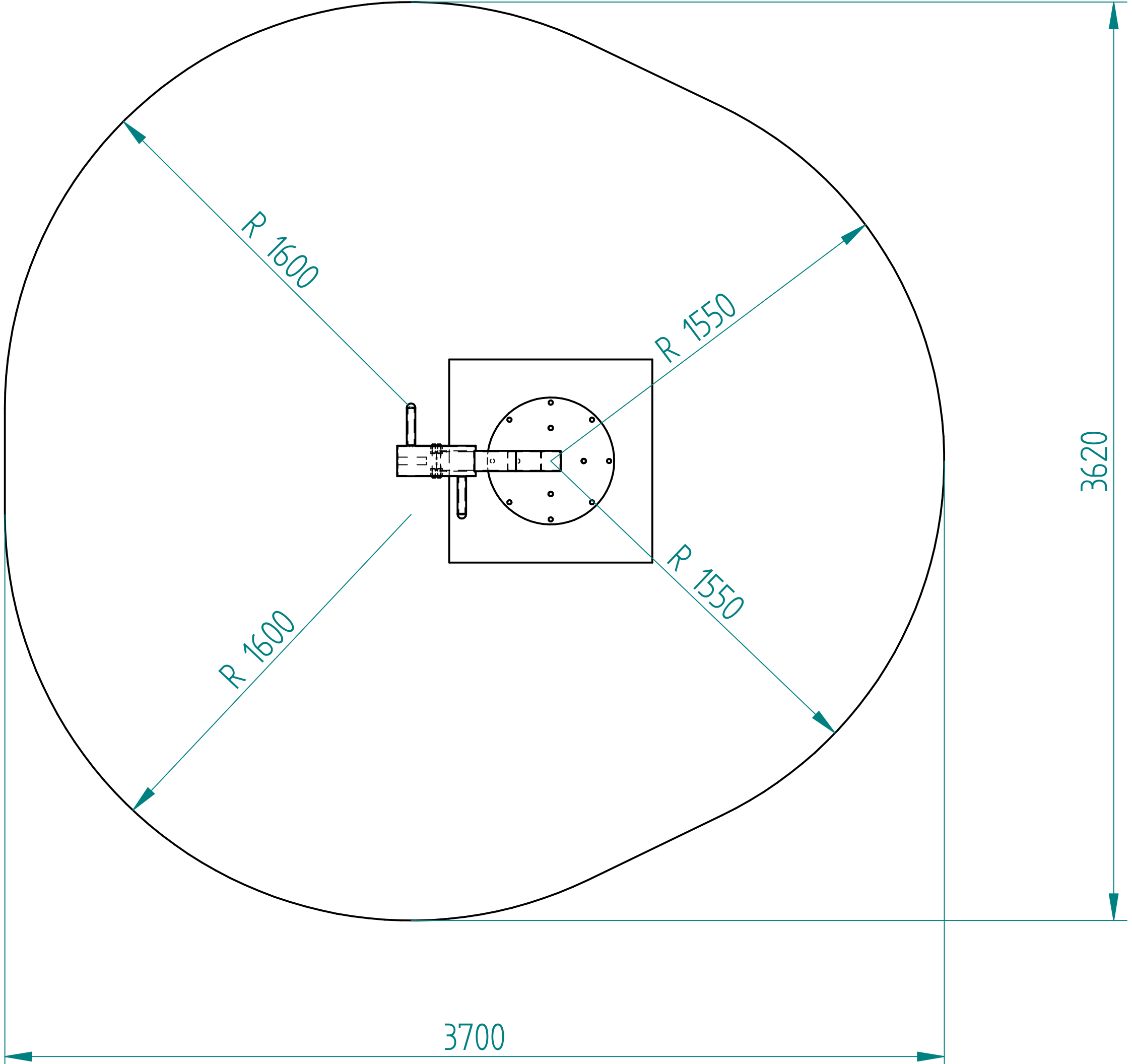


Fallraum gemäß DIN EN 1176 und 16630



1:15

	NAME	DATE	CUSTOMBARS®	
DRAWN	marcs	02/06/24		
CHECKED	marcs	02/06/24	TITLE	
ENG APPR			SIZE	DWG NO
MGR APPR			A2	
UNLESS OTHERWISE SPECIFIED DIMENSIONS ARE IN MILLIMETERS ANGLES ±XX° 2 PL ±XXX 3 PL ±XXXX			FILE NAME:	REV
			CB_Armfahrrad.dft	
			SCALE:	WEIGHT:
				SHEET 3 OF 3