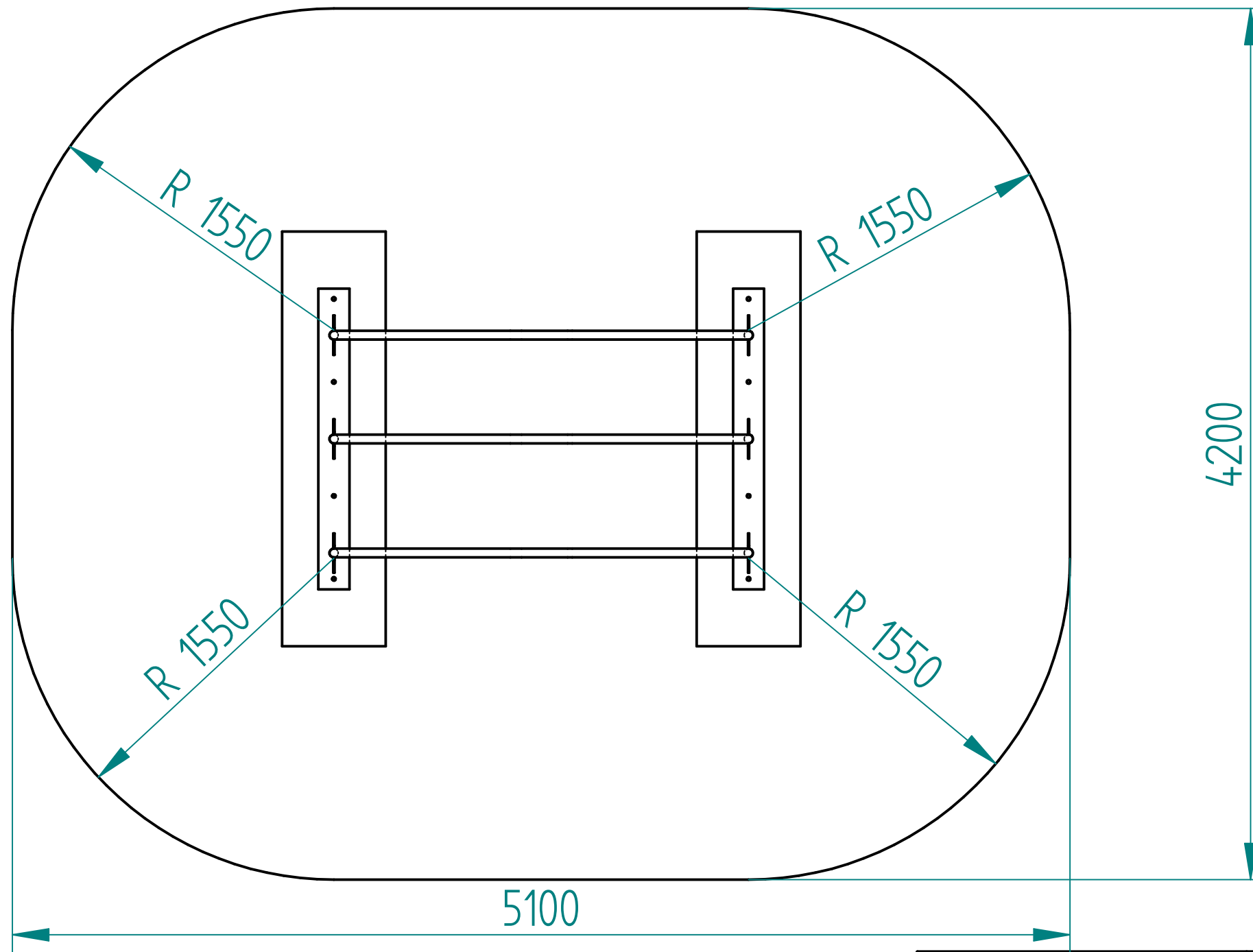


Fallraum gemäß DIN EN 1176 und 16630



1:25

	NAME	DATE	CUSTOMBARS®		
DRAWN	Marc	10/10/21	TITLE		
CHECKED			BAD2000_1300		
ENG APPR			SIZE	DWG NO	REV
MGR APPR			A3		
UNLESS OTHERWISE SPECIFIED DIMENSIONS ARE IN MILLIMETERS ANGLES ±X.X° 2 PL ±X.XX 3 PL ±X.XXX			FILE NAME: BAT2000_1300_1000.dft		
			SCALE: 1:25	WEIGHT:	SHEET 3 OF 3