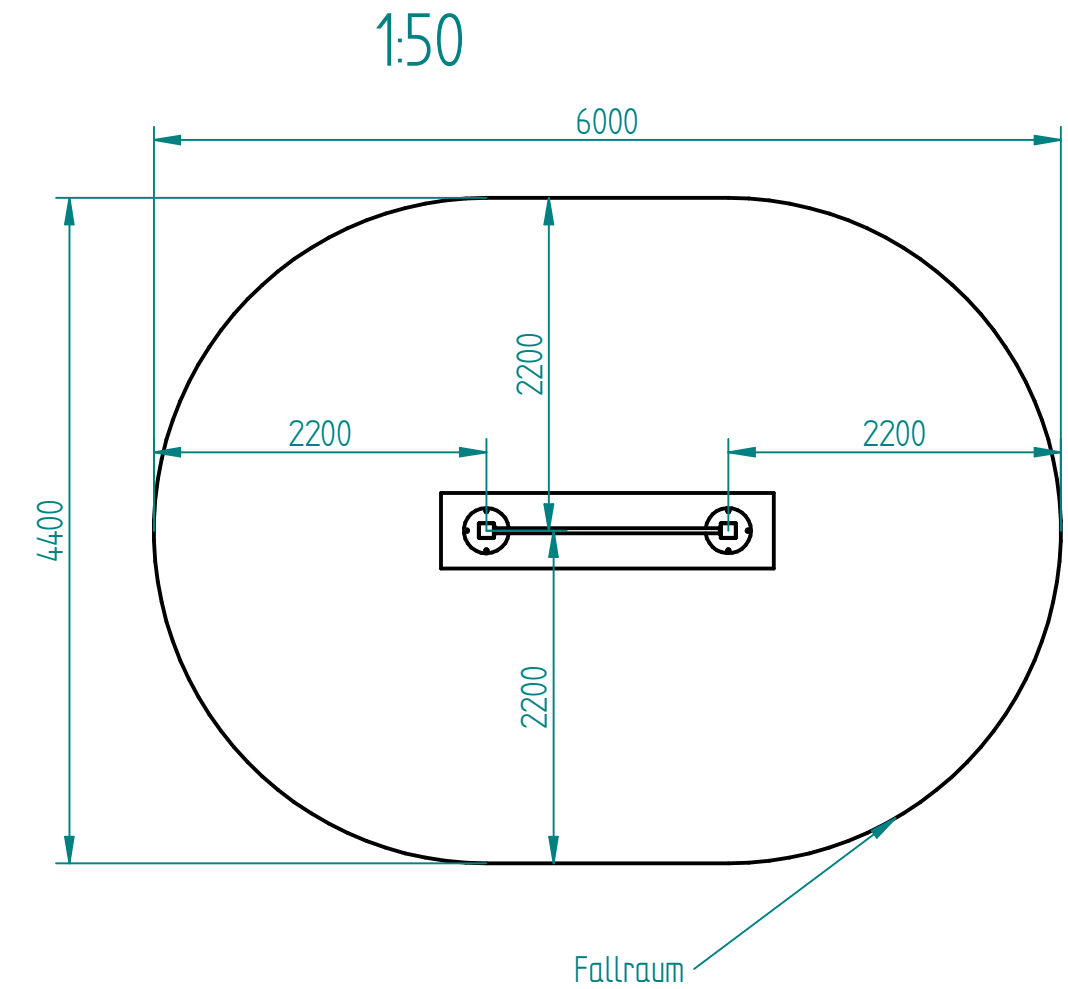
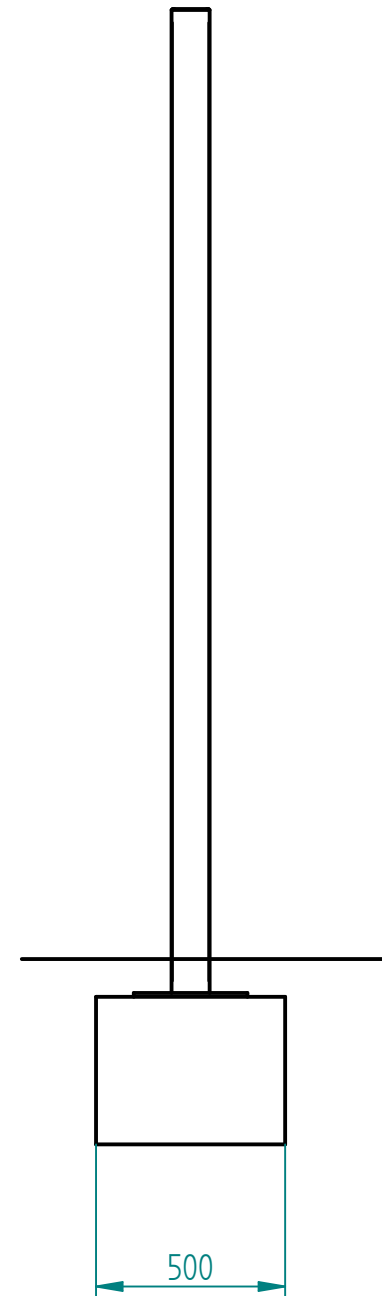
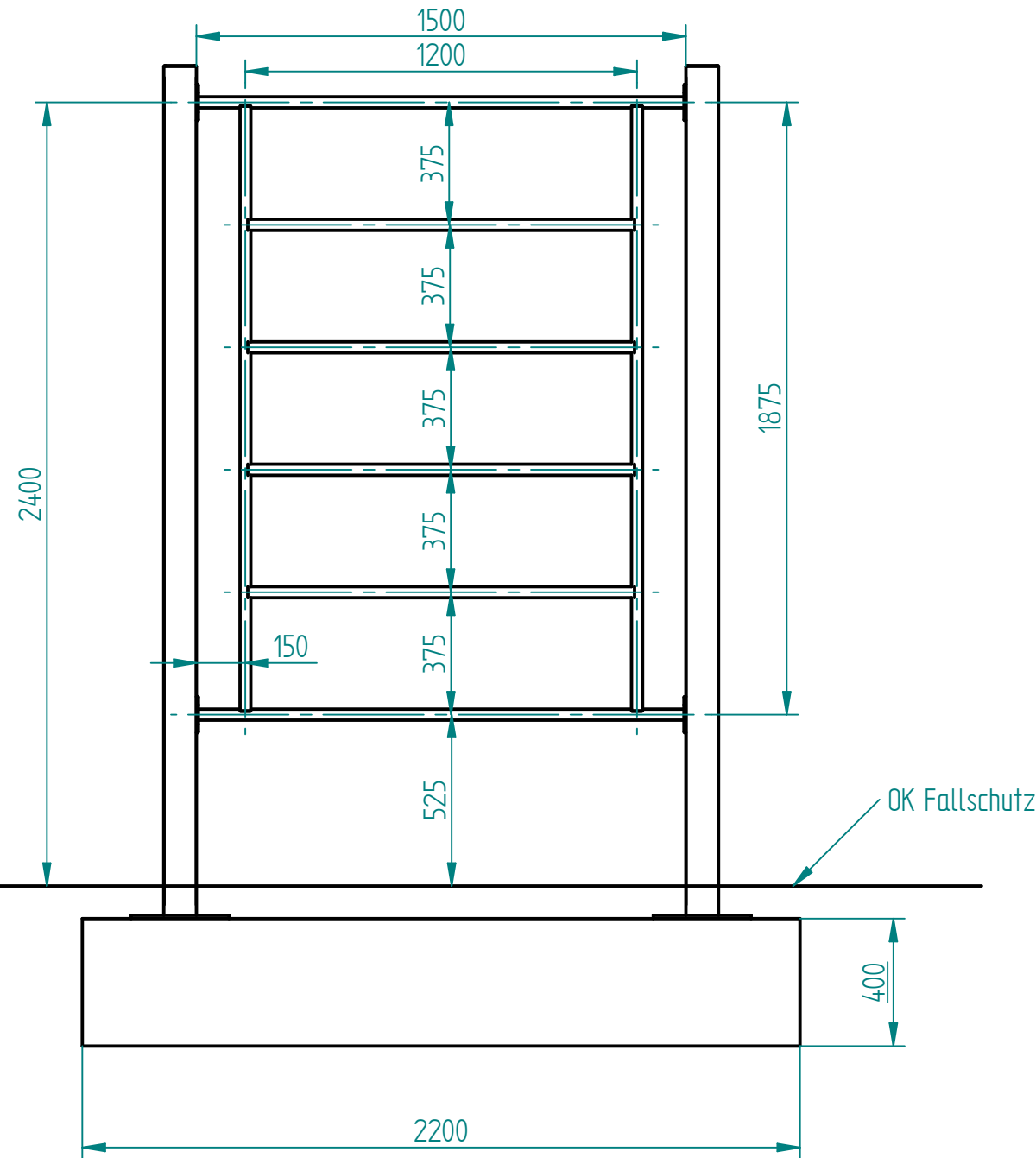
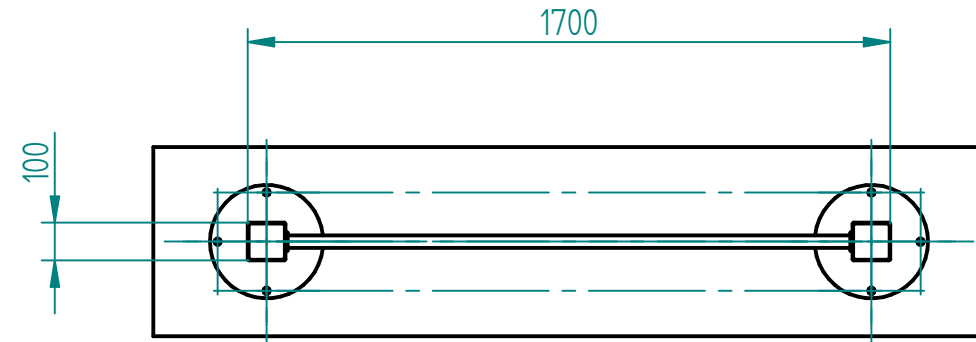


**CUSTOMBARS®**

REVISION HISTORY

REV	DESCRIPTION	DATE	APPROVED



NAME	DATE	CUSTOMBARS®	
DRAWN	Elena	03/18/24	TITLE
CHECKED			Modul_Sprossenwand_2600_1500
ENG APPR			SIZE A3
MGR APPR			DWG NO
UNLESS OTHERWISE SPECIFIED DIMENSIONS ARE IN MILLIMETERS ANGLES ±X.X° 2 PL ±X.XX 3 PL ±X.XXX			REV
		FILE NAME: Modul_Sprossenwand_2600_1500.dft	
		SCALE: 1:20	WEIGHT: SHEET 1 OF 1