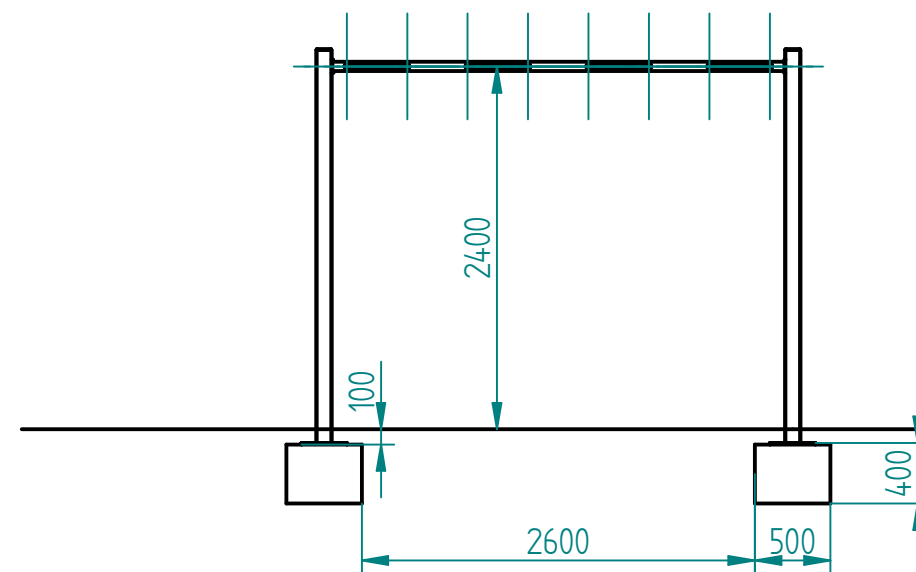
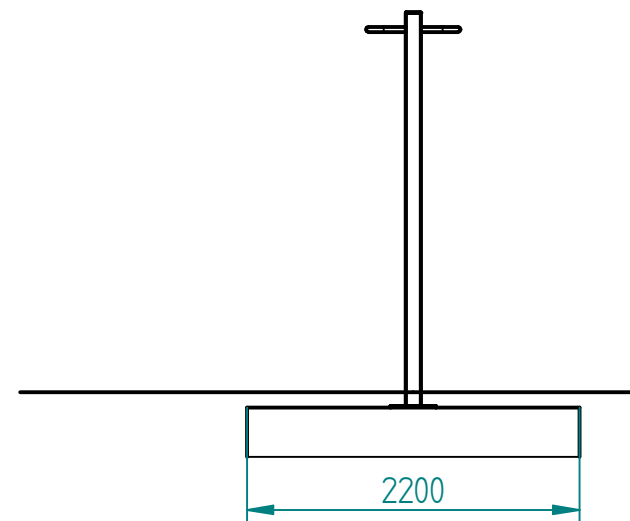
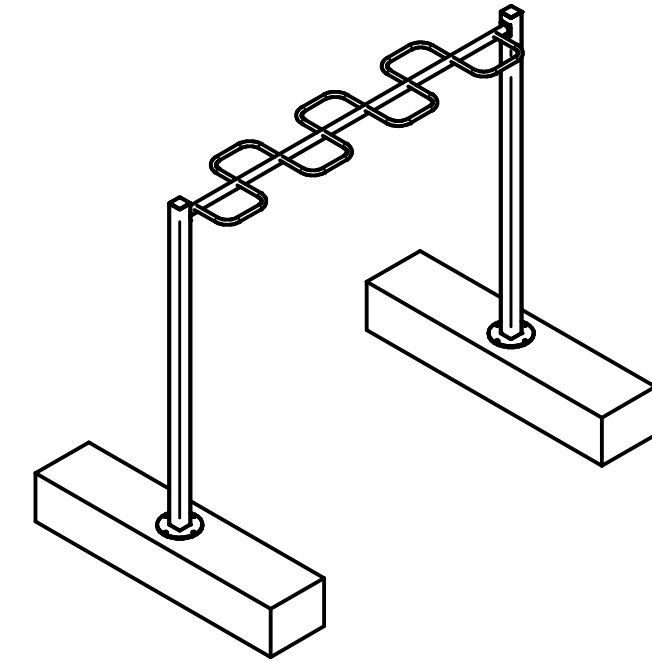
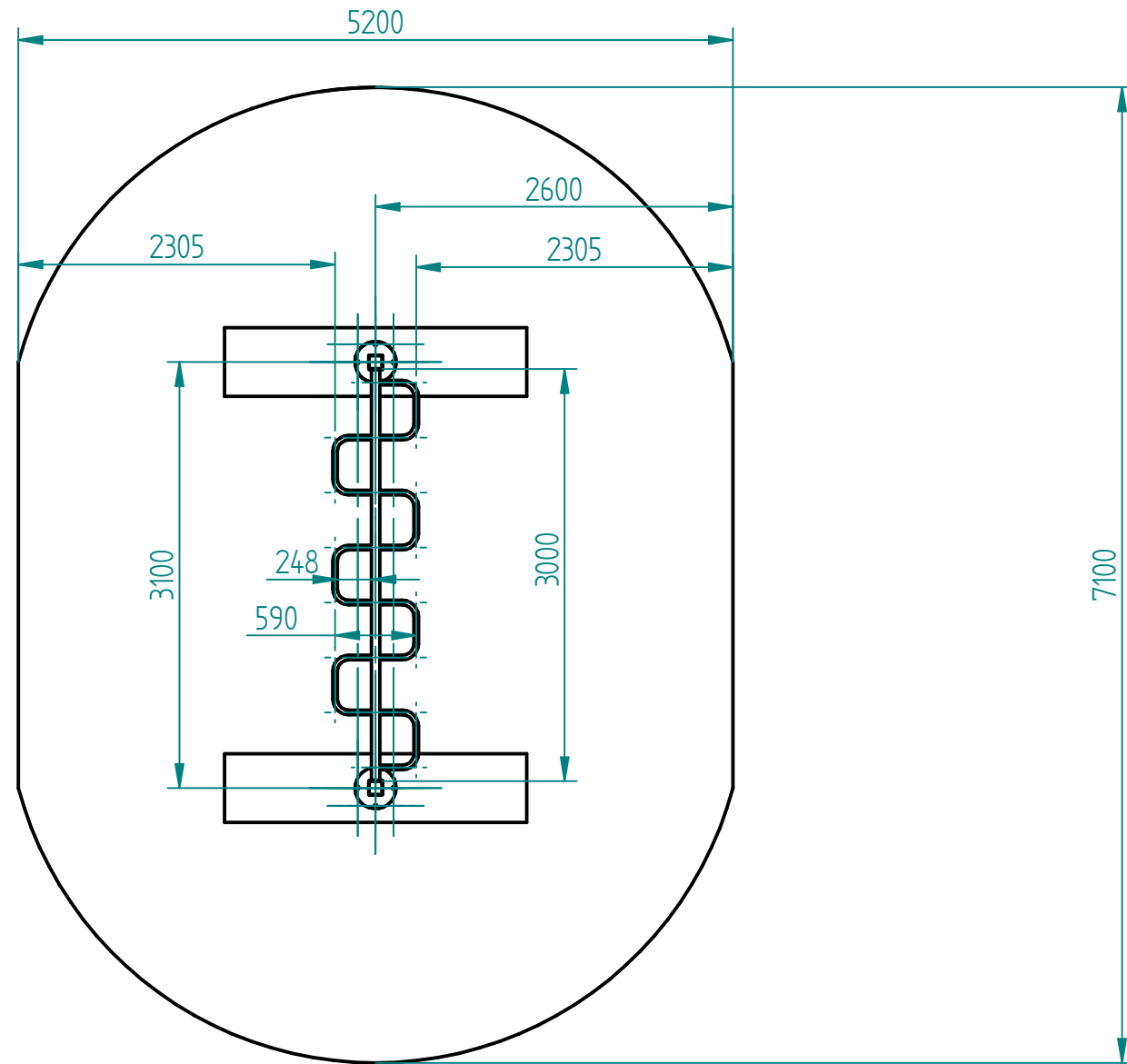




CUSTOM BARS[®]

REVISION HISTORY

REV	DESCRIPTION	DATE	APPROVED



Pos.	Dateiname (ohne Endung)	Autor	Anzahl
1*	SB3000	Marc	1
2	Pfosten_QR100_2600	Suerbier	4
3*	Fund_500_400_2200	Marc	2

	NAME	DATE
DRAWN	Suerbier	07/13/22
CHECKED		
ENG APPR		
MGR APPR		

CUSTOMBARS®

TITLE: Modul_Snakebar_SB3000

SIZE: A3 DWG NO: REV:

FILE NAME: Modul_Snakebar_SB3000.dft

SCALE: 1:50 WEIGHT: SHEET 1 OF 1

UNLESS OTHERWISE SPECIFIED
DIMENSIONS ARE IN MILLIMETERS
ANGLES ±X.X°
2 PL ±X.XX 3 PL ±X.XXX