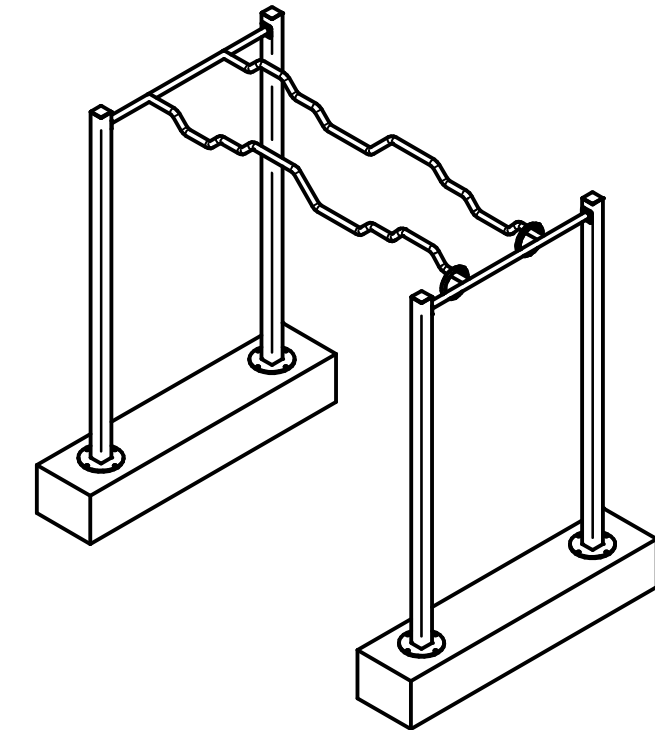
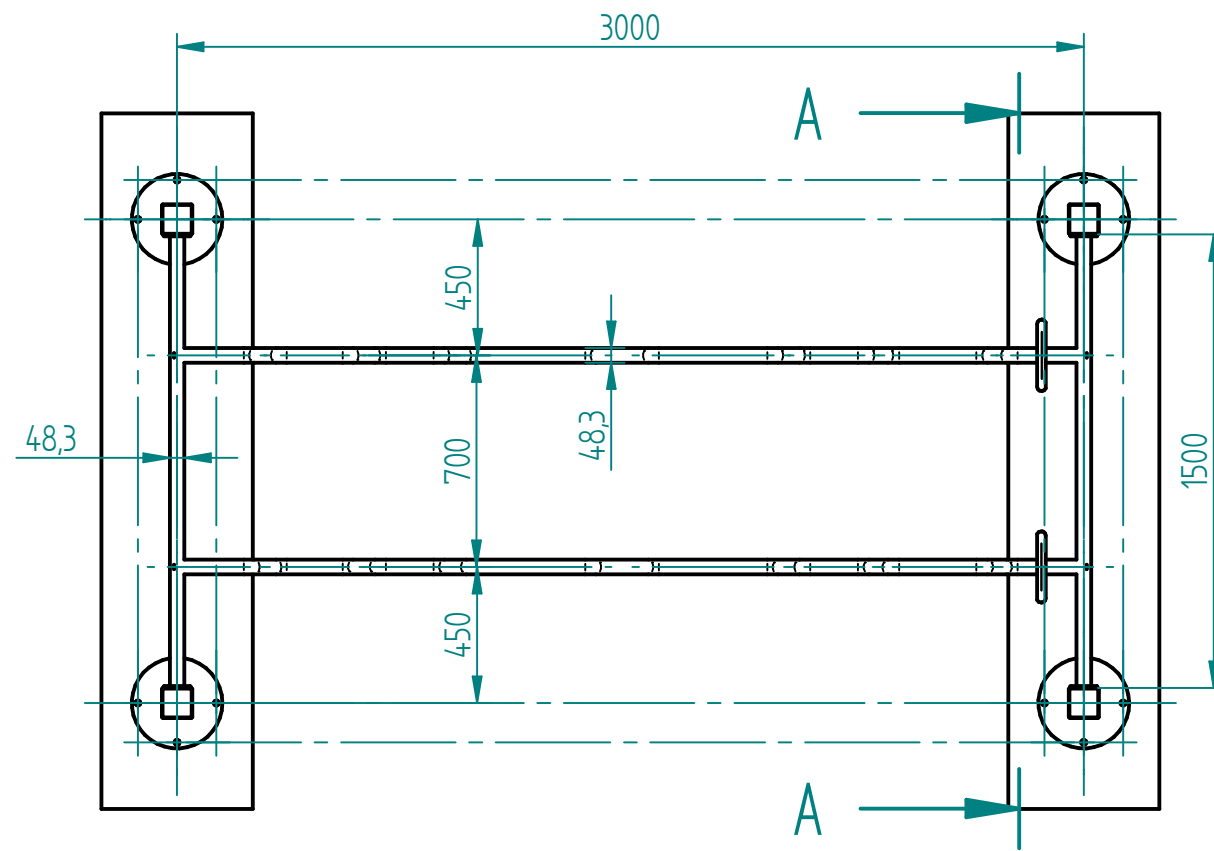




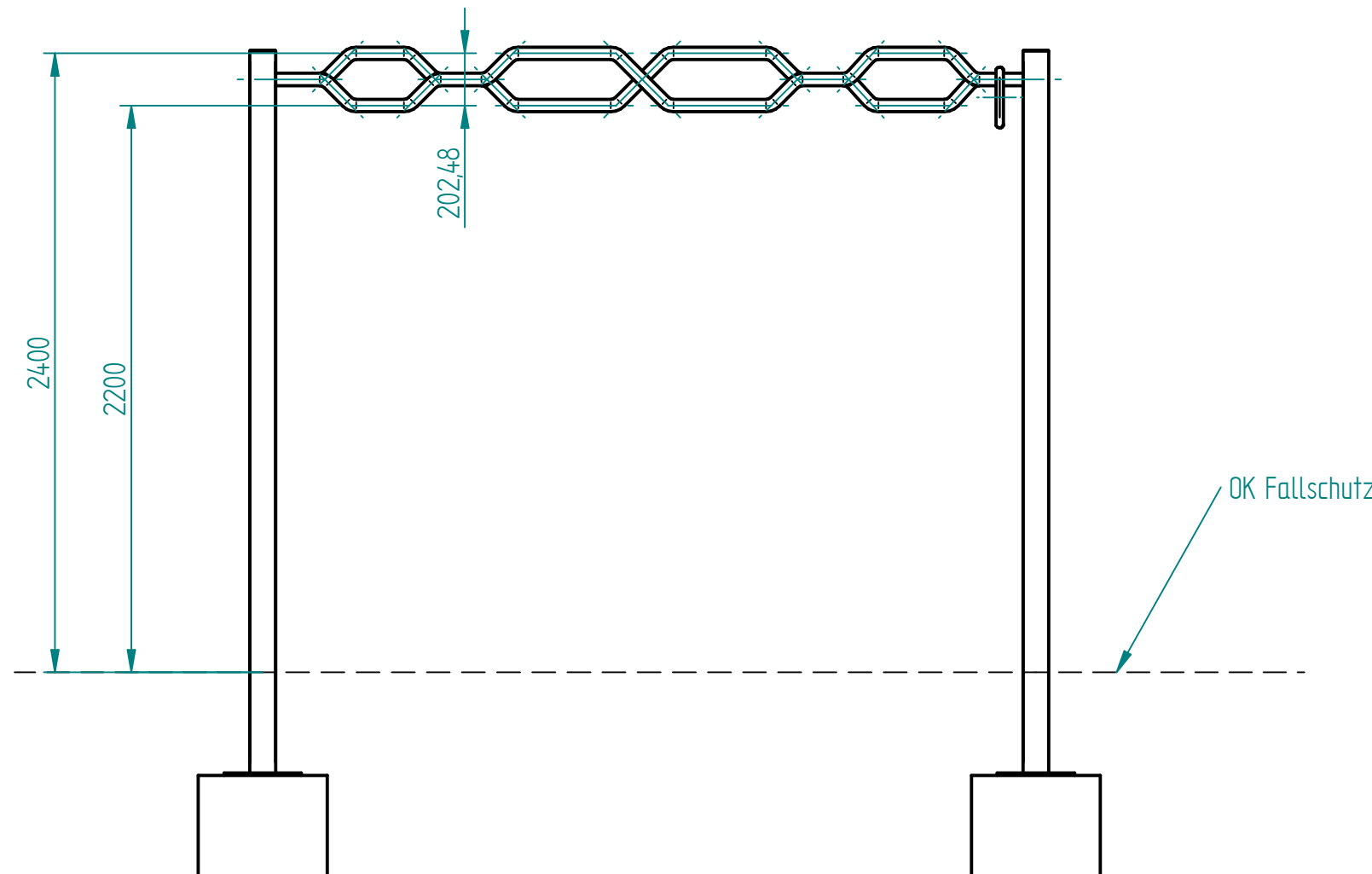
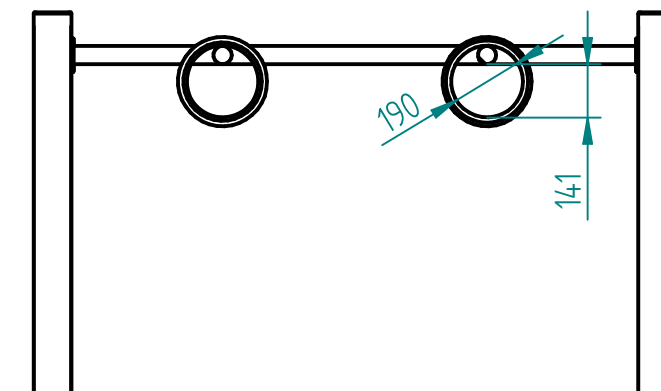
**CUSTOMBARS®**


REVISION HISTORY

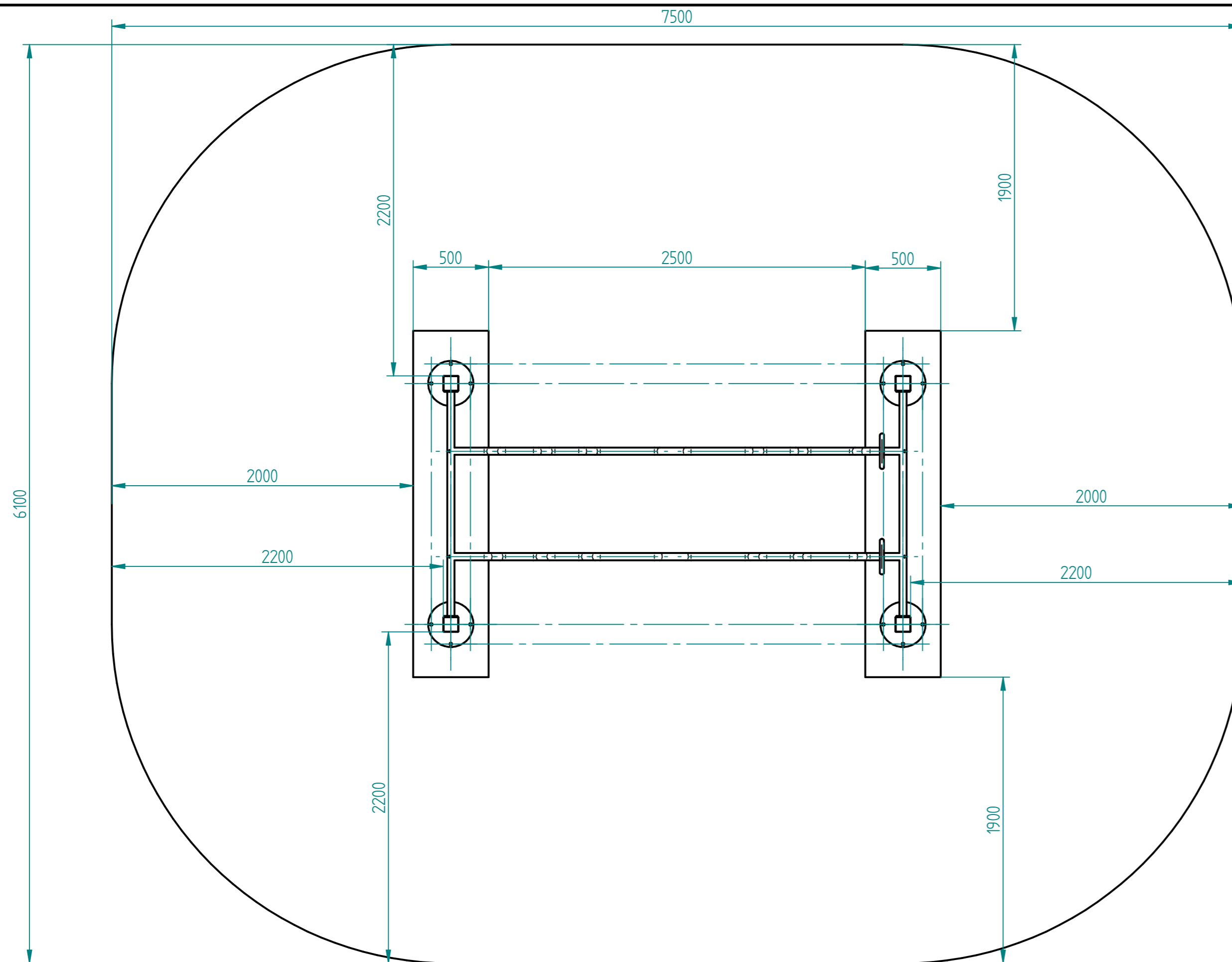
REV	DESCRIPTION	DATE	APPROVED



SECTION A-A



NAME	DATE	
DRAWN	Marc 10/25/23	
CHECKED		
ENG APPR		
MGR APPR		TITLE
UNLESS OTHERWISE SPECIFIED DIMENSIONS ARE IN MILLIMETERS ANGLES ±X.X° 2 PL ±X.XX 3 PL ±X.XXX		Modul MonkeyBar 1800 1700 OCR Ring
SIZE	DWG NO	REV
A3		
SCALE: 1:50	WEIGHT:	SHEET 1 OF 2



REVISION HISTORY			
REV	DESCRIPTION	DATE	APPROVED

### Fundamentplan

Betonzusammensetzung:  
 C25/30 nach DIN 1045 unbewehrt  
 OK Fundamente -400mm uOKG  
 UK Fundamente -800mm uOKG

Fundamente frostfrei gegründet  
 (Frostschutzkies Unterbau von -800mm bis UK Fundament)

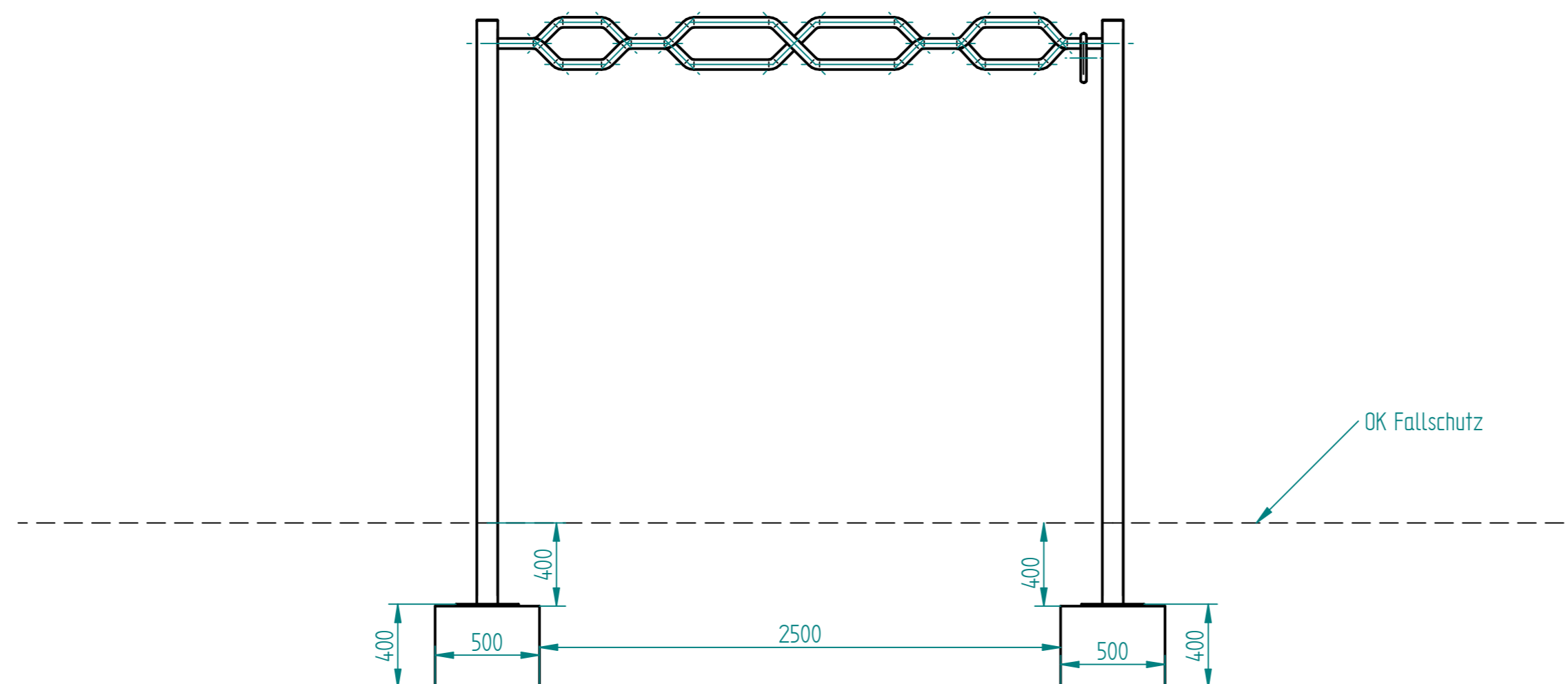
Fallhöhe max. 2,4m  
 Fallschutzdicke min. 300mm + 100mm Wegspieeffekt


Fallschutzmenge: 18,3 - 20 m<sup>3</sup>

2 x Streifenfundament 500x400x2300

Theor. Betonvolumen: 0,92m<sup>3</sup>

Aufstellfläche 7,5 x 6,1 m = 45,75 m<sup>2</sup> ~ 46m<sup>2</sup>



	NAME	DATE	
DRAWN	Marc	10/25/23	
CHECKED	Marc	10/25/23	
ENG APPR			
MGR APPR			TITLE
			Modul MonkeyBar 1800 1700 OCR Ring
UNLESS OTHERWISE SPECIFIED DIMENSIONS ARE IN MILLIMETERS ANGLES ±X.X° 2 PL ±X.XX 3 PL ±X.XXX			SIZE A2 DWG NO FILE NAME: Modul_Monkeybar_1800_1700_OCR.dft SCALE: WEIGHT: SHEET 2 OF 2