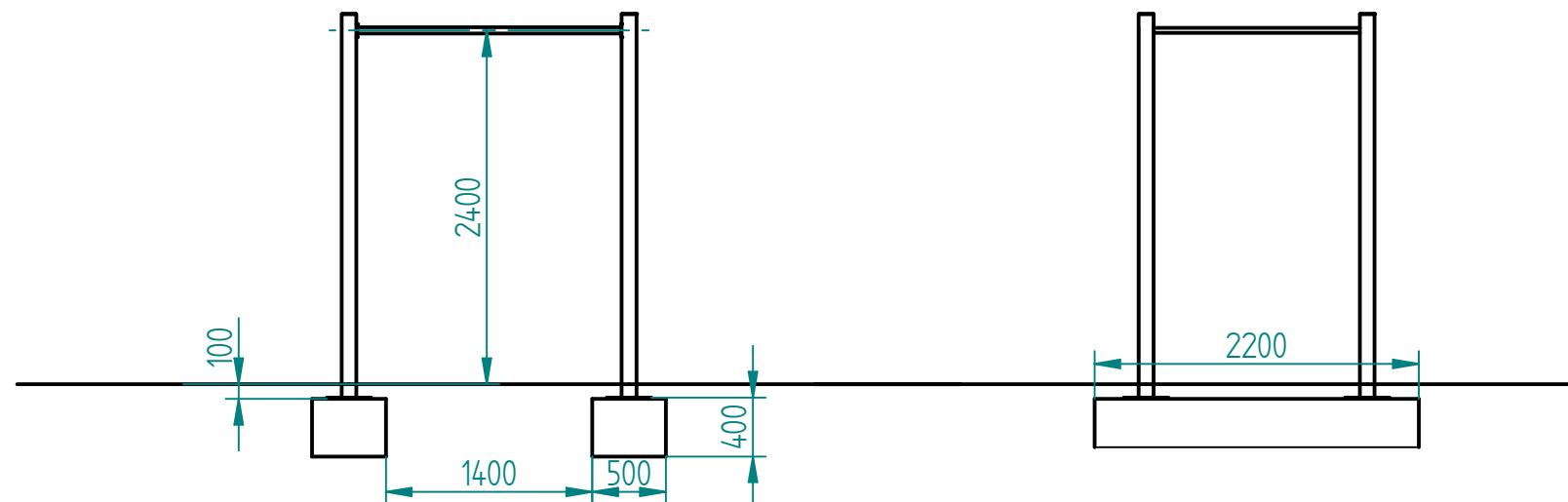
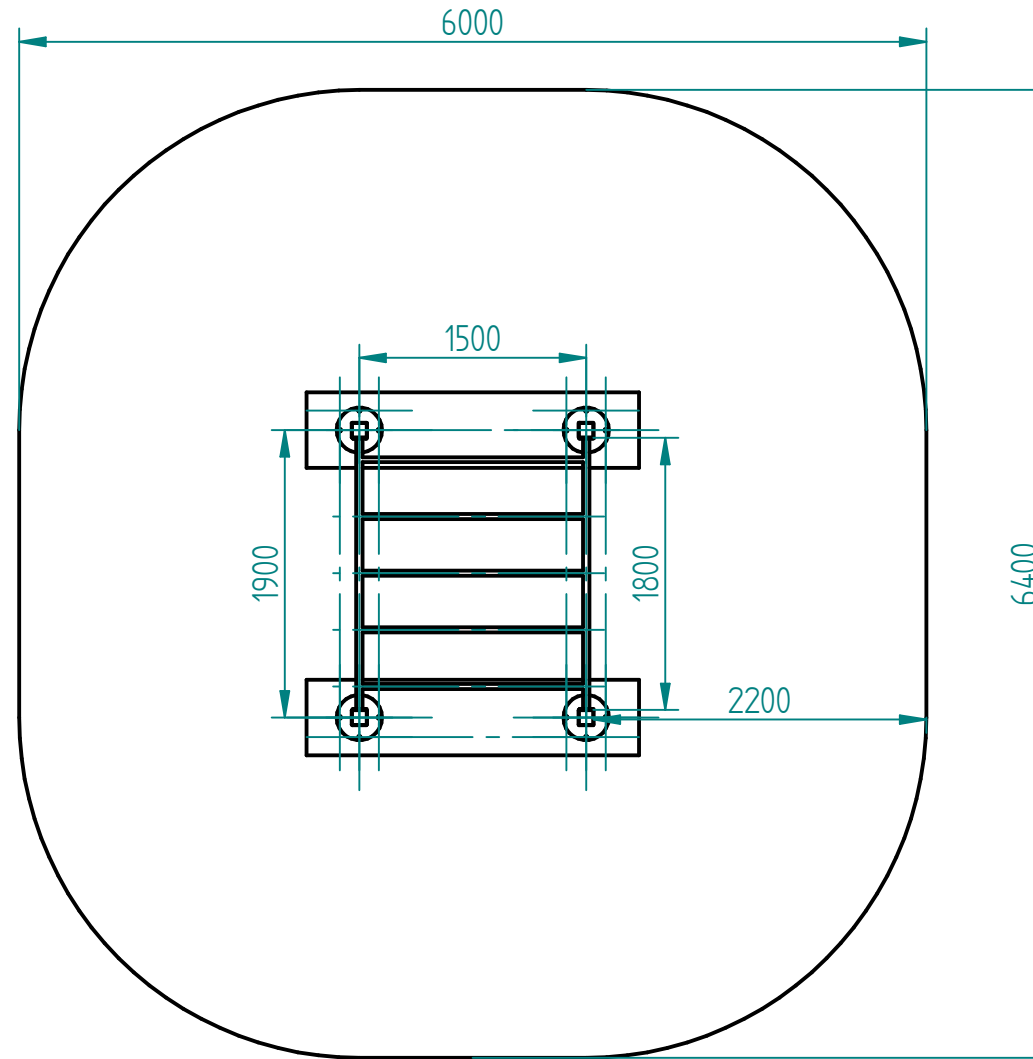
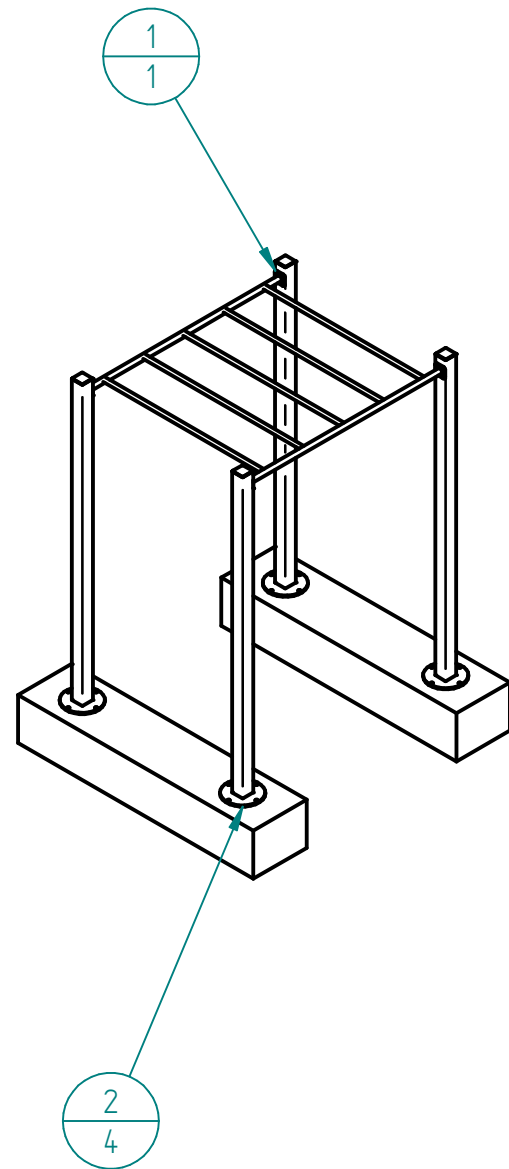




**CUSTOMBARS®**

REVISION HISTORY			
REV	DESCRIPTION	DATE	APPROVED



Pos.	Dateiname (ohne Endung)	Autor	Anzahl
1	Monkeybar_1800_1500	Marc	1
2	Pfosten_QR100_2600	Suerbier	4
3*	Fund_500_400_2200	Marc	2

	NAME	DATE
DRAWN	Suerbier	07/13/22
CHECKED		
ENG APPR		
MGR APPR		

<b>CUSTOMBARS®</b>		
TITLE Modul_Hangelleiter_MB1800_1500		
SIZE A3	DWG NO	REV
FILE NAME: Modul_Hangelleiter_MB1800_1500.dft		
SCALE: 1:50	WEIGHT:	SHEET 1 OF 1

UNLESS OTHERWISE SPECIFIED  
DIMENSIONS ARE IN MILLIMETERS  
ANGLES ±X.X°  
2 PL ±X.XX 3 PL ±X.XXX