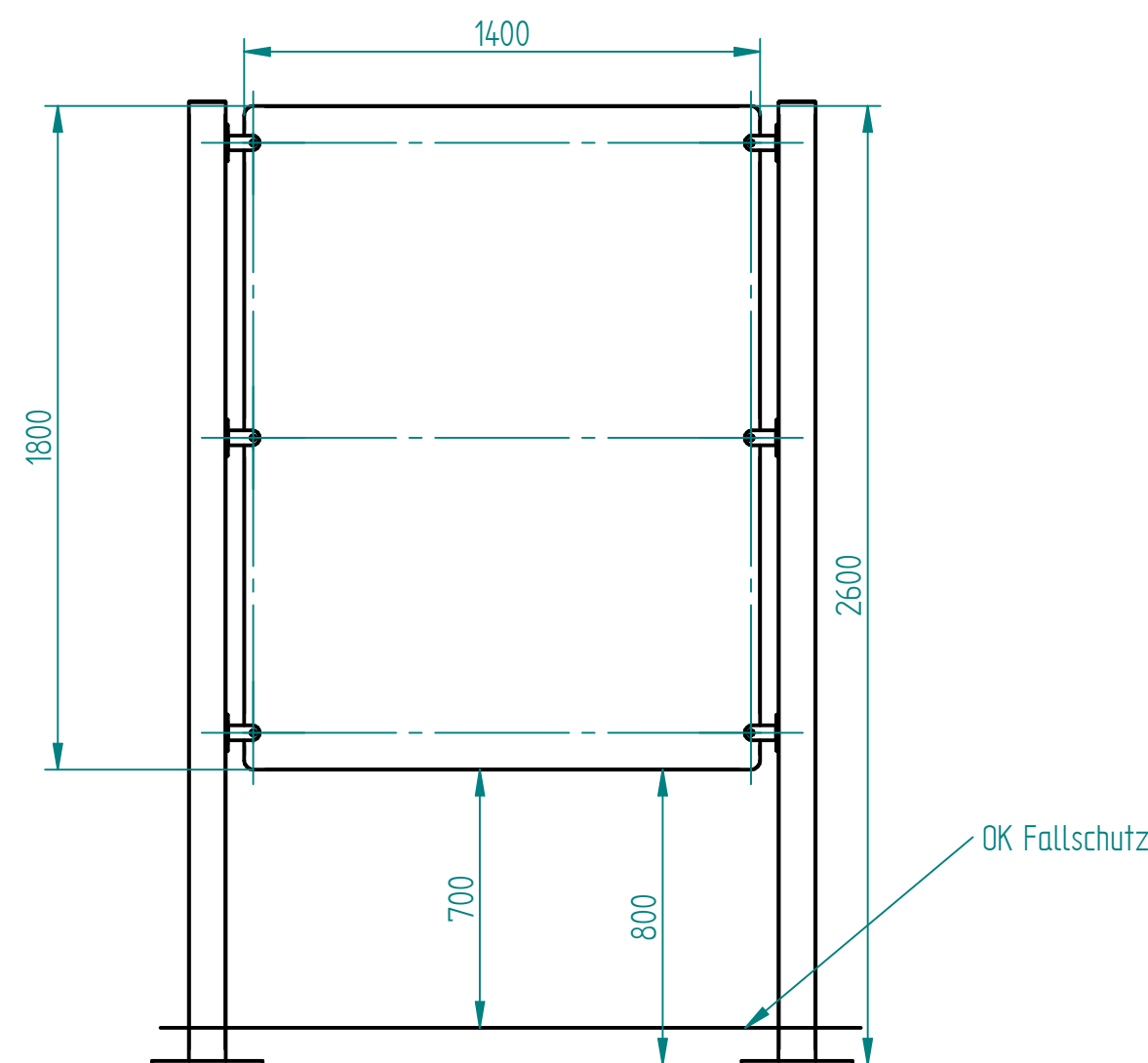
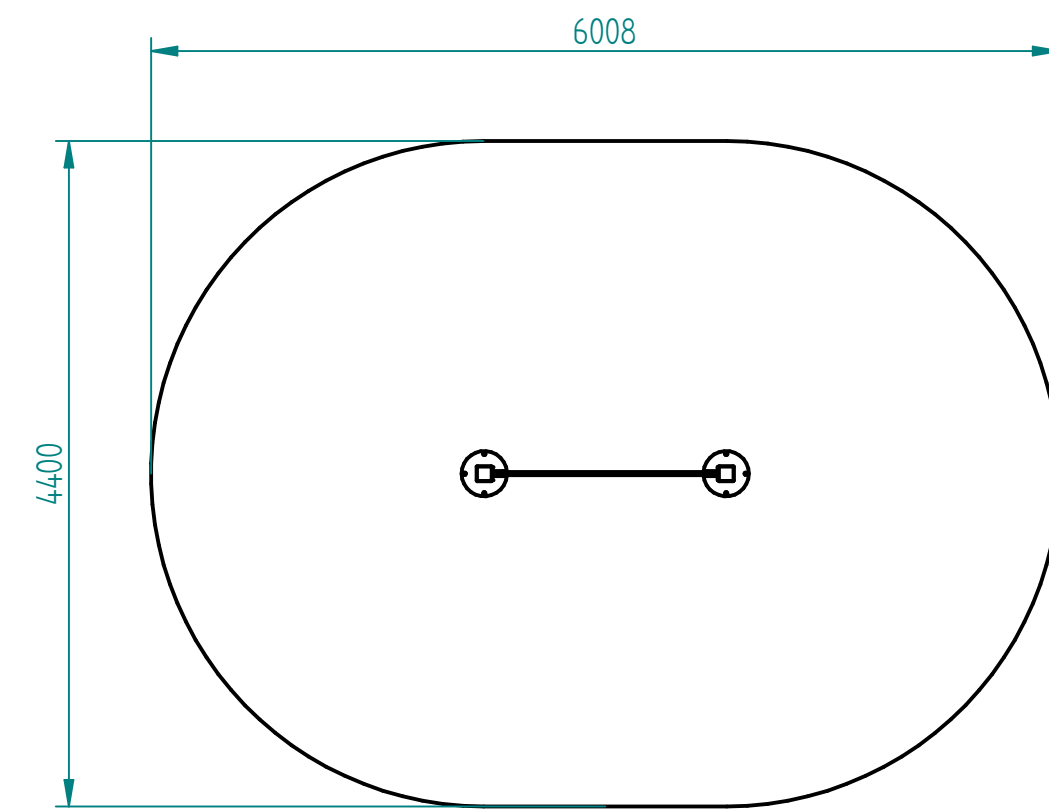
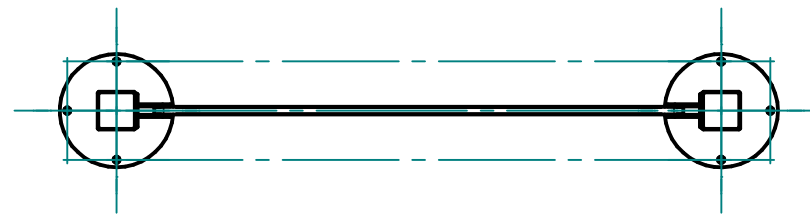





**CustomBars®**

REVISION HISTORY

REV	DESCRIPTION	DATE	APPROVED



	NAME	DATE			
DRAWN	Marc	11/17/23			
CHECKED					
ENG APPR					
MGR APPR			TITLE Modul Handstandwand HSW1800 1400		
UNLESS OTHERWISE SPECIFIED DIMENSIONS ARE IN MILLIMETERS ANGLES ±X.X° 2 PL ±X.XX 3 PL ±X.XXX			SIZE A3	DWG NO	REV
			FILE NAME: Modul_Handstandwand_HSW1800_1400.dwg		
			SCALE: 1:20	WEIGHT:	SHEET 1 OF 1