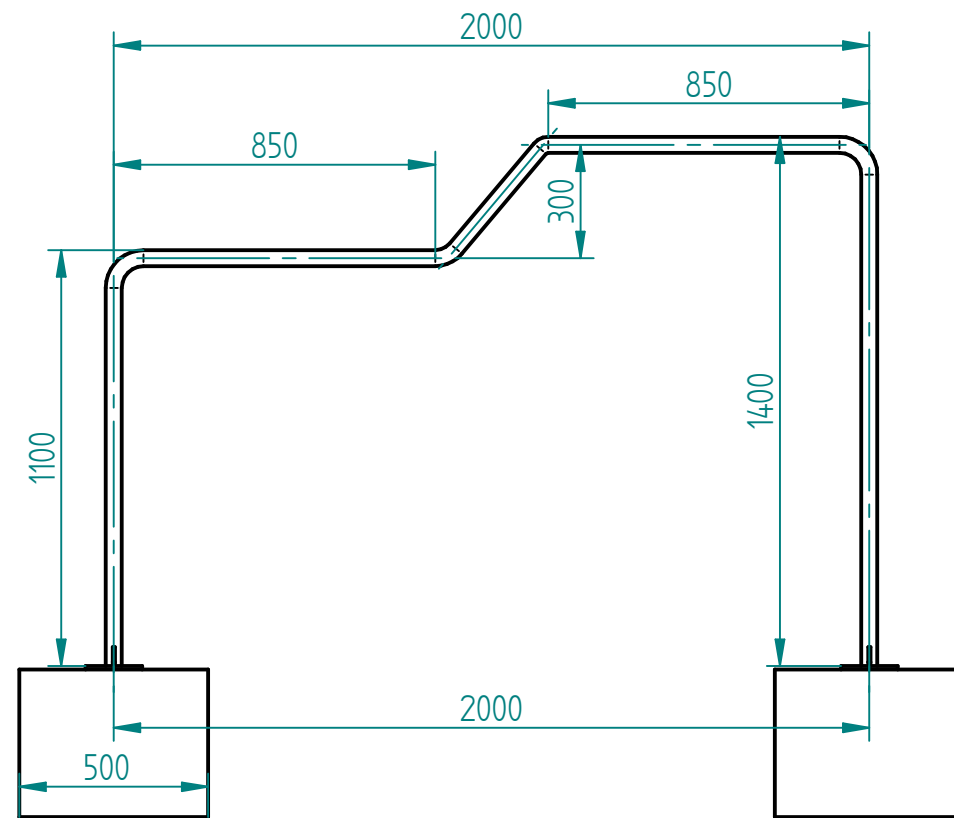


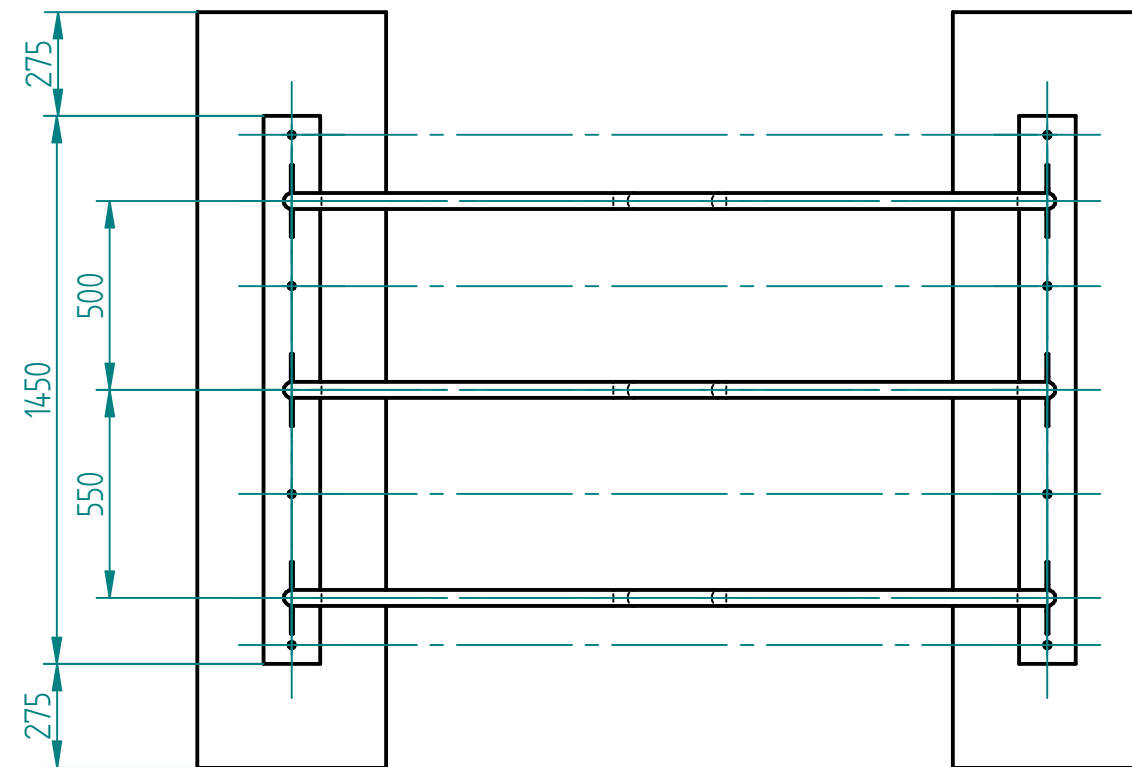
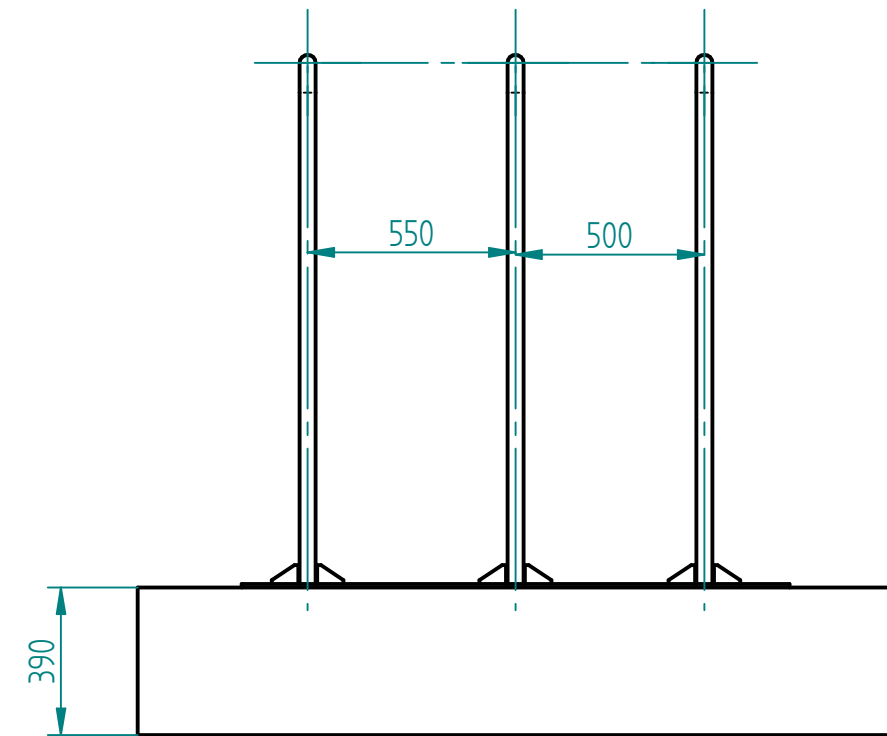


CustomBars®

REVISION HISTORY			
REV	DESCRIPTION	DATE	APPROVED



OK Fundament = -100mm
von OK Fallschutz



Pos.	Dateiname (ohne Endung)	Autor	Anzahl
1*	BLECH01_1	Marc	2
3*	Knoten_Barren	Marc	12
4*	Fund_500_400_2000	Marc	2
5*	Barrenrohr_zweistufig_42, 4	marcs	3

	NAME	DATE
DRAWN	Marc	10/10/21
CHECKED		
ENG APPR		
MGR APPR		

CUSTOMBARS®

TITLE: BAD2000_1300

SIZE: A3 DWG NO: REV:

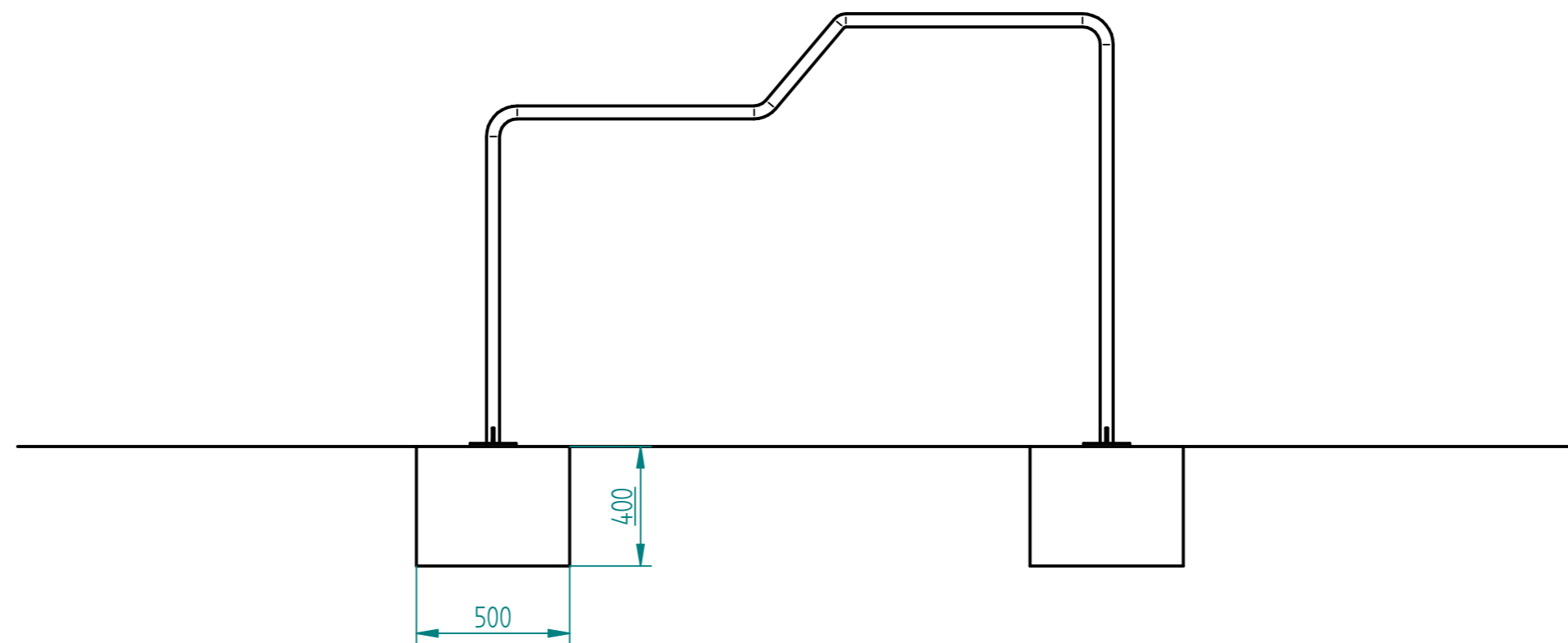
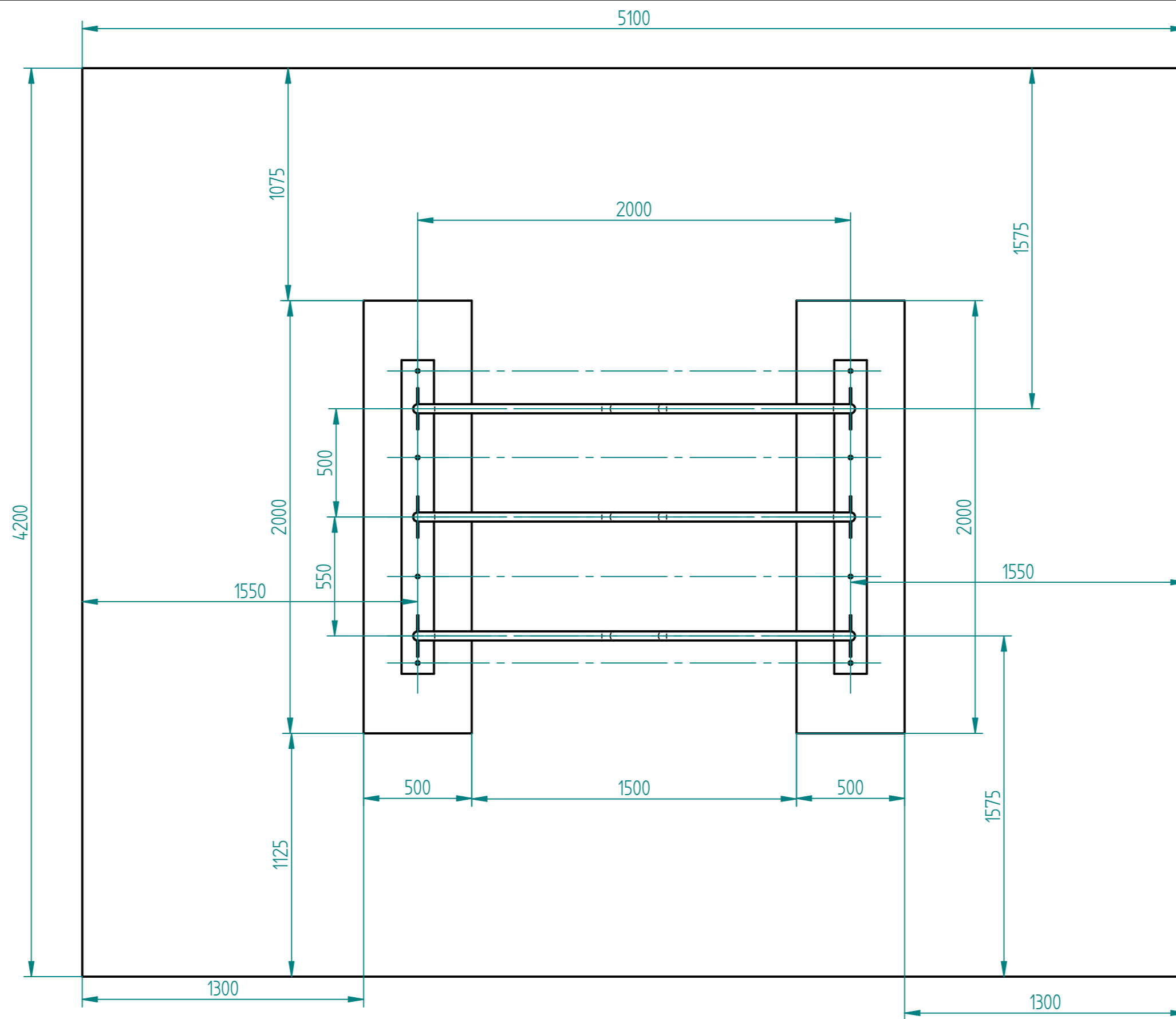
FILE NAME: BAT2000_1300_1000.dft

SCALE: 1:20 WEIGHT: SHEET 1 OF 2

UNLESS OTHERWISE SPECIFIED
DIMENSIONS ARE IN MILLIMETERS
ANGLES ±X.X°
2 PL ±X.XX 3 PL ±X.XXX


Fallbereich:

5.1 x 4.2m, = 21,42m²



OK Fundament = -100mm
 UK Fundament = -500mm
 von OK Fallschutzbelag
 Betonzusammensetzung C25/30

REVISION HISTORY			
REV	DESCRIPTION	DATE	APPROVED

	NAME	DATE	
DRAWN	marcs	10/10/21	
CHECKED	marcs	10/10/21	
ENG APPR			
MGR APPR			TITLE
UNLESS OTHERWISE SPECIFIED DIMENSIONS ARE IN MILLIMETERS ANGLES ±X.X° 2 PL ±XXX 3 PL ±XXXX			BA2000_1300 SIZE A2 DWG NO FILE NAME: BAT2000_1300_1000.dft SCALE: WEIGHT: SHEET 2 OF 2