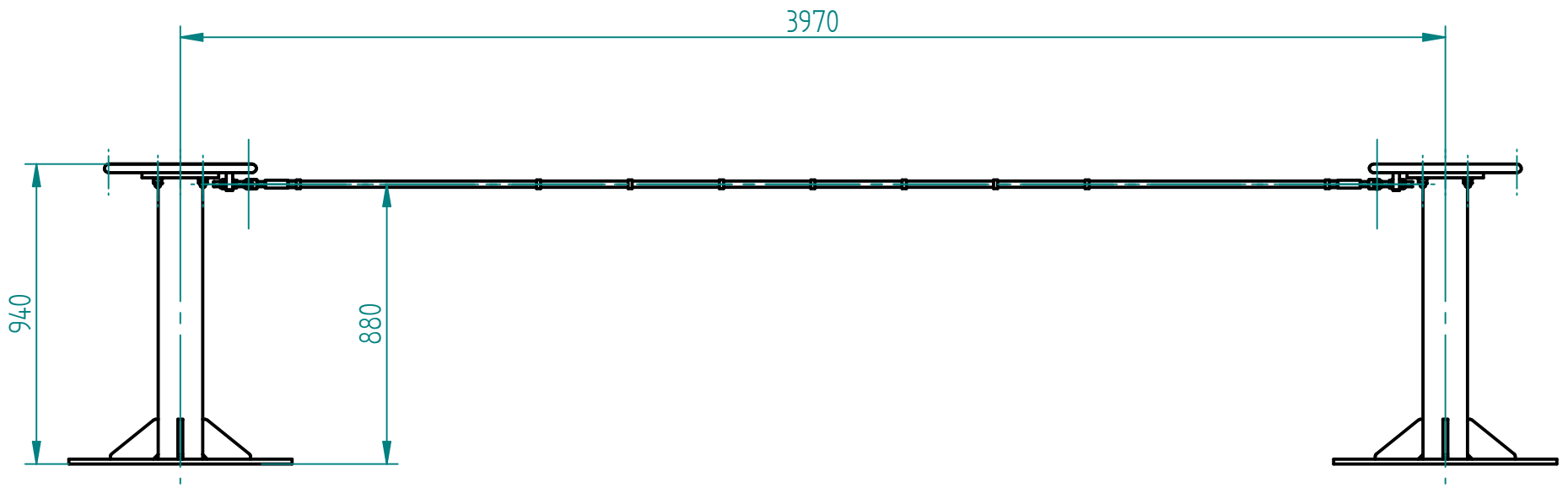
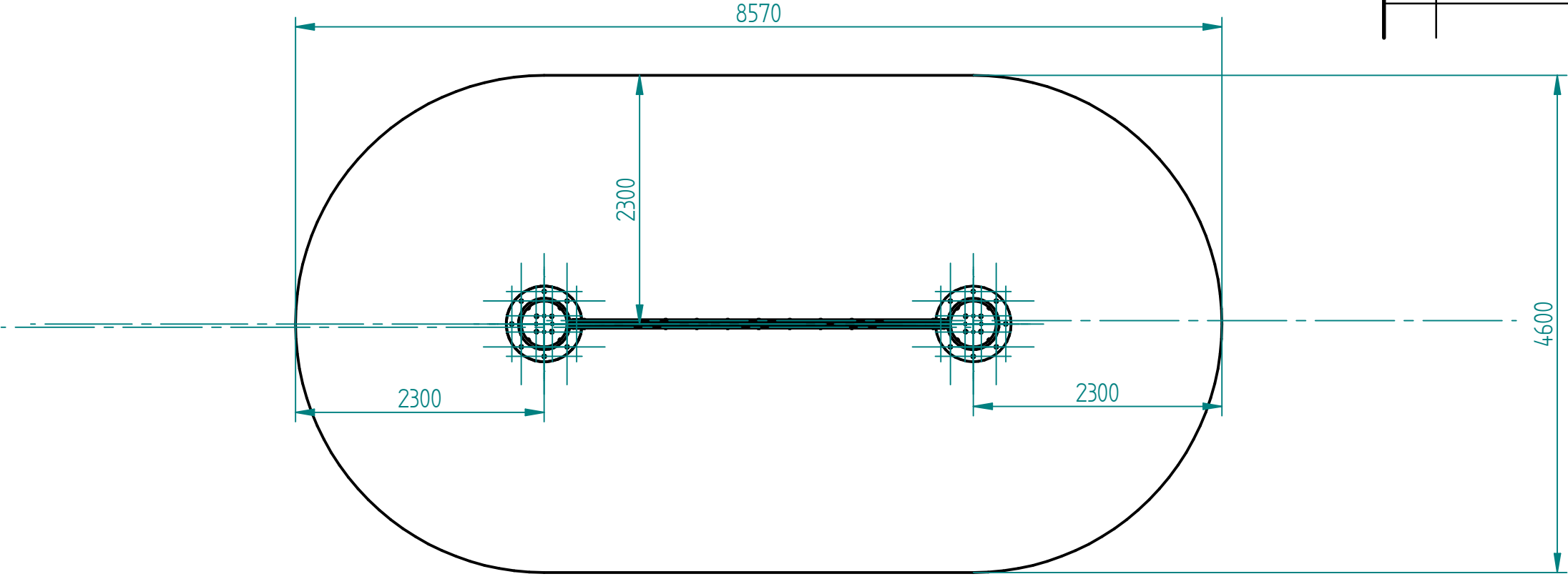




CUSTOMBARS®

REVISION HISTORY			
REV	DESCRIPTION	DATE	APPROVED



	NAME	DATE
DRAWN	Suerbier	11/17/22
CHECKED		
ENG APPR		
MGR APPR		

UNLESS OTHERWISE SPECIFIED
 DIMENSIONS ARE IN MILLIMETERS
 ANGLES ±X.X°
 2 PL ±X.XX 3 PL ±X.XXX

CUSTOMBARS®

TITLE: Slackline_4m

SIZE A3	DWG NO	REV
FILE NAME: Slackline_4m_Komplett.dft		
SCALE: 1:20	WEIGHT:	SHEET 1 OF 1