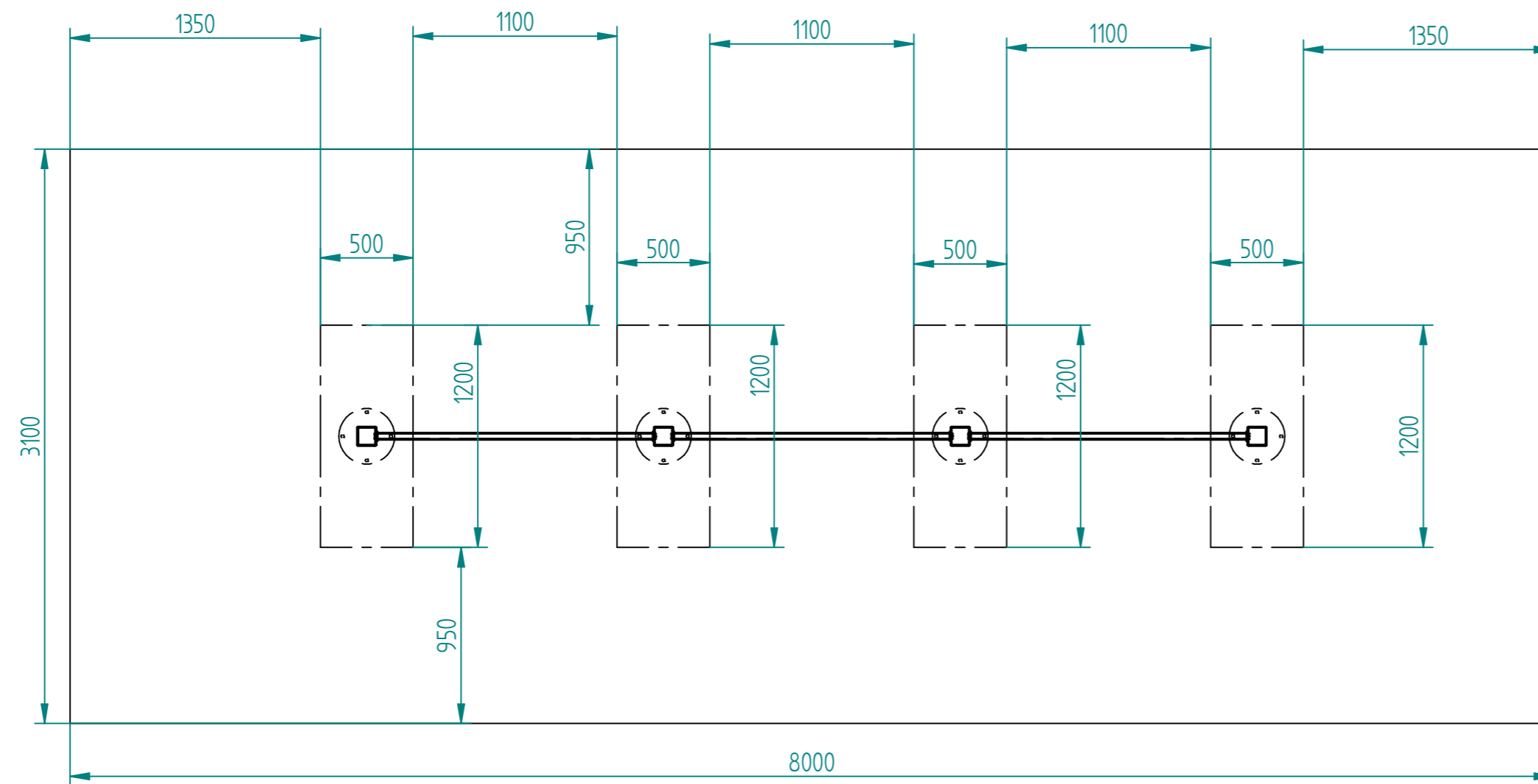
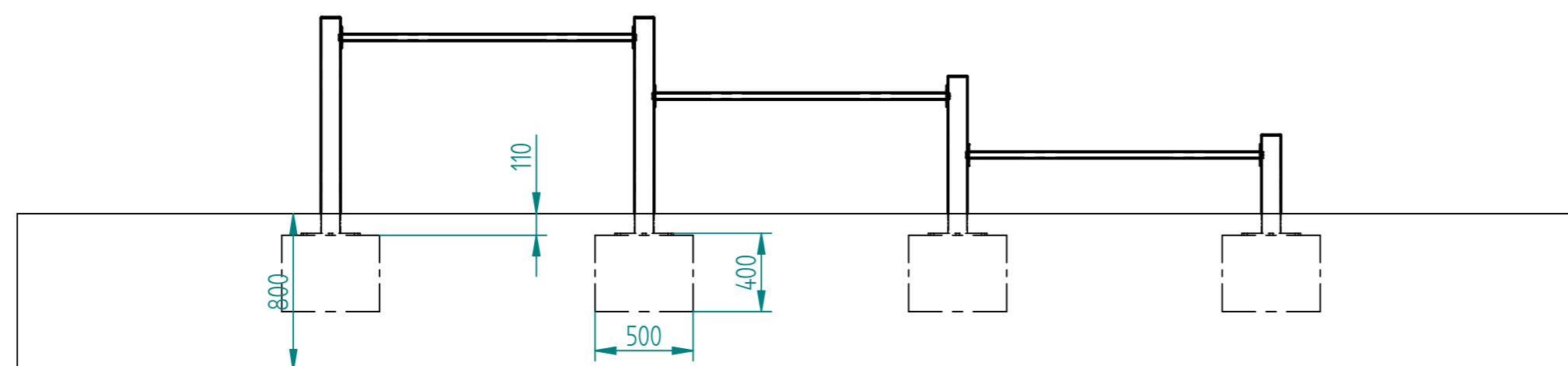



REVISION HISTORY			
REV	DESCRIPTION	DATE	APPROVED



Fundamentplan
 Betonzusammensetzung:
 C25/30 unbewehrt

OK Fundamente -100mm uOKG
 UK Fundamente -500mm uOKG
 Fallhöhe max.2,4m



	NAME	DATE	
DRAWN	Suerbier	02/10/19	
CHECKED			
ENG APPR			
MGR APPR			TITLE
			CB_PushUpBars
UNLESS OTHERWISE SPECIFIED DIMENSIONS ARE IN MILLIMETERS ANGLES ±XX° 2 PL ±XXX 3 PL ±XXXX			SIZE A2
			DWG NO
			REV
			FILE NAME: CB_PushUpBars.dft
			SCALE:
			WEIGHT:
			SHEET 3 OF 3