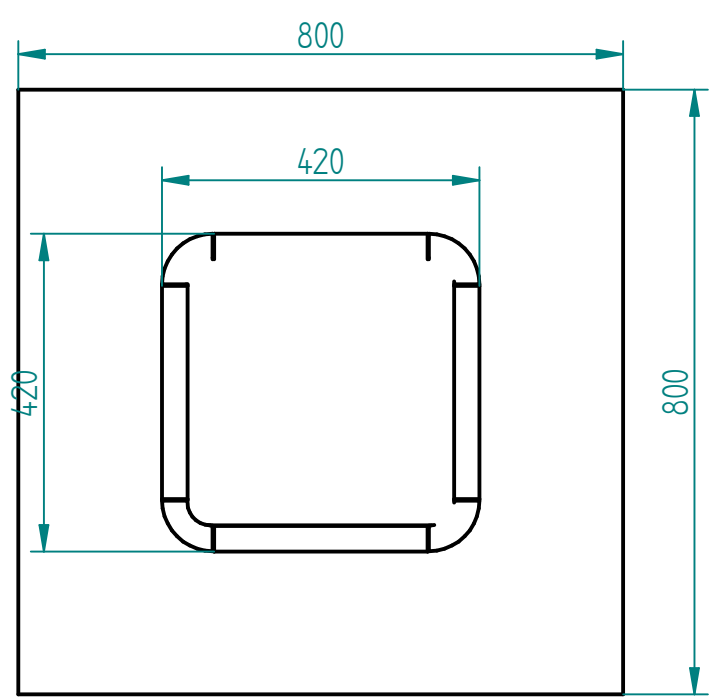
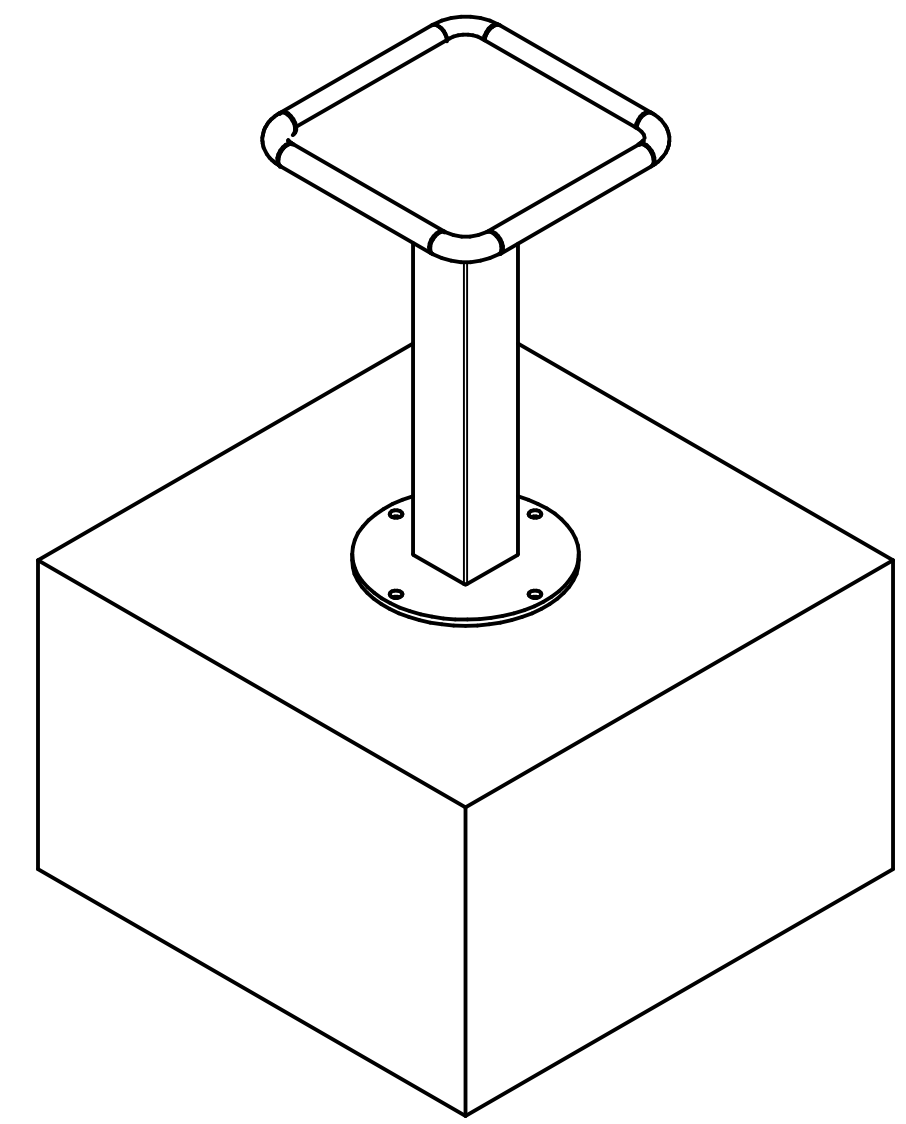
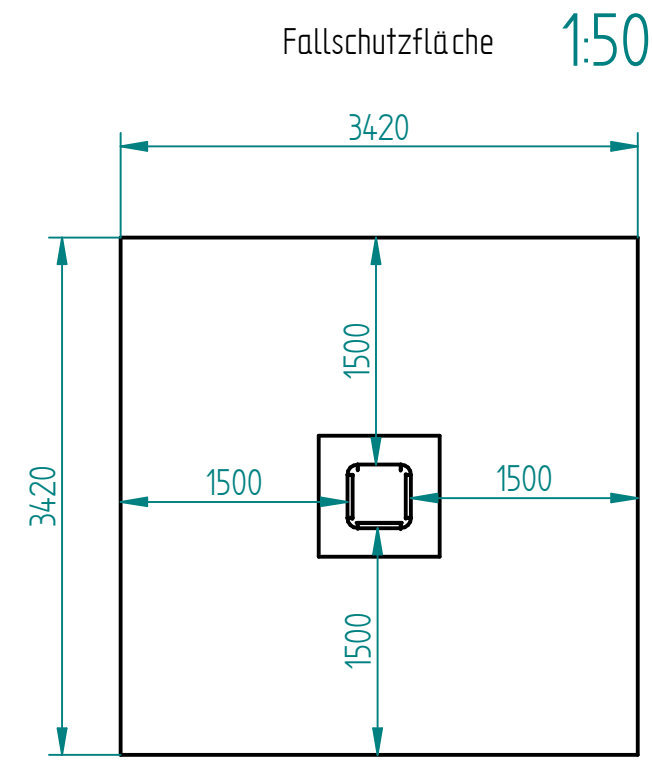
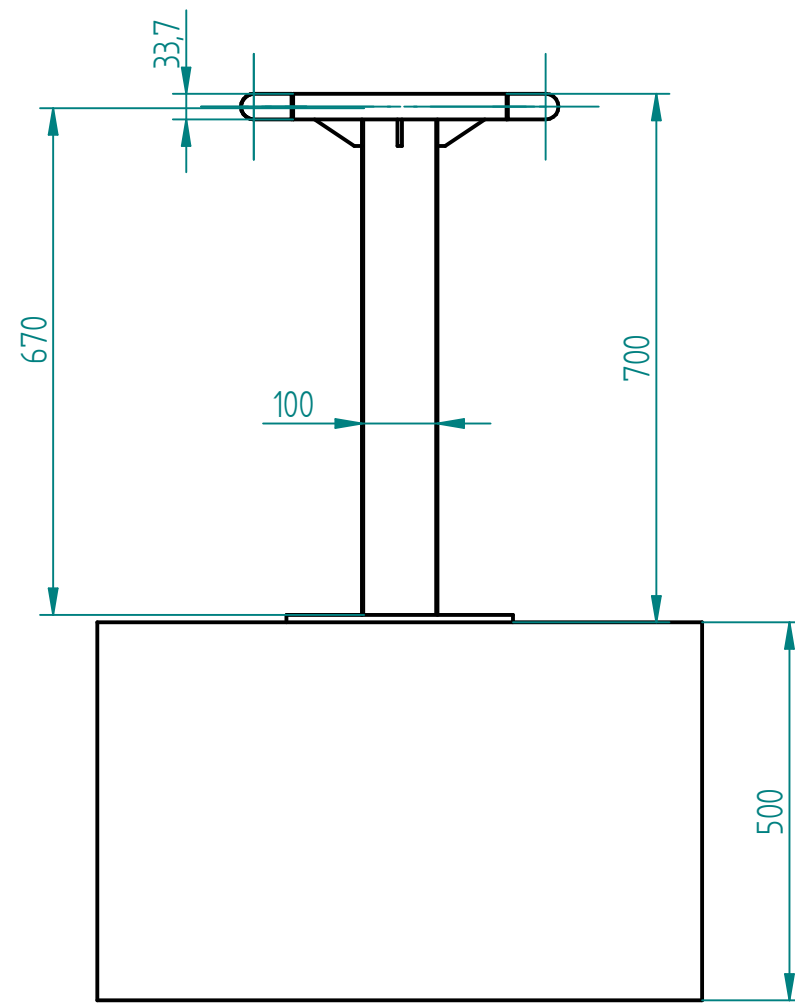



REVISION HISTORY

| REV | DESCRIPTION | DATE | APPROVED |
|-----|-------------|------|----------|
|     |             |      |          |



Fundamente

Betonzusammensetzung:  
 C25/30 nach DIN 1045 unbewehrt  
 OK Fundamente -100mm uOKG  
 UK Fundamente -600mm uOKG  
 Fundamente frostfrei gegründet  
 (Frostschutzkies Unterbau von -800mm bis UK Fundament)  
 Fallhöhe max. 0,6m  
 Fallschutzdicke 100mm

|   |          |   |
|---|----------|---|
| NAME  | DATE     |  |
| DRAWN Suerbier  | 04/20/22 |   |
| CHECKED   |          |   |
| ENG APPR  |          |   |
| MGR APPR  |          | TITLE   |
| UNLESS OTHERWISE SPECIFIED<br>DIMENSIONS ARE IN MILLIMETERS<br>ANGLES ±X.X°<br>2 PL ±X.XX 3 PL ±X.XXX |          | Sprungplattform 600   |
| SIZE  | DWG NO   | REV   |
| A3  |          |   |
| SCALE: 1:5  | WEIGHT:  | SHEET 1 OF 1  |
| FILE NAME: SPF600.dft   |          |   |