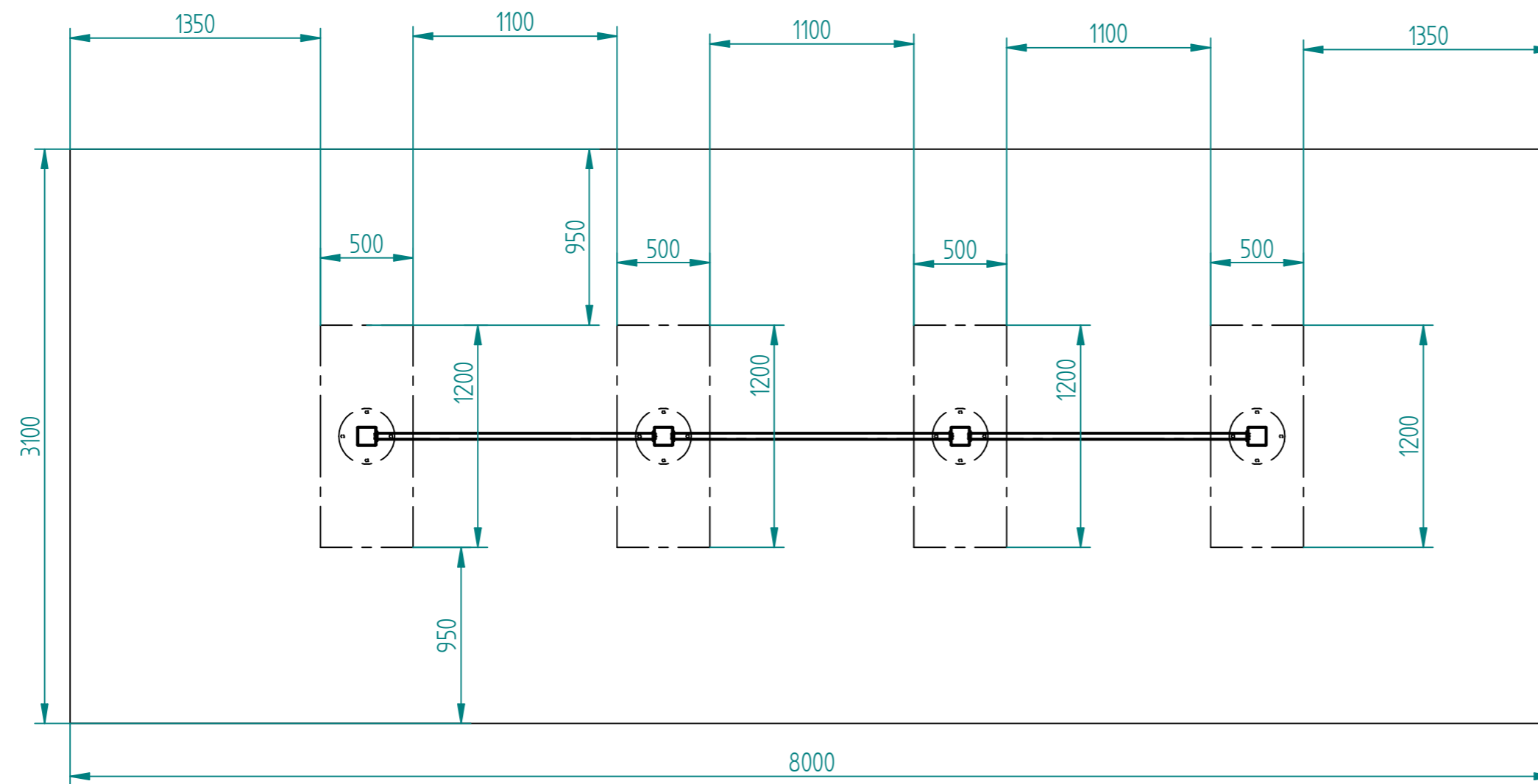
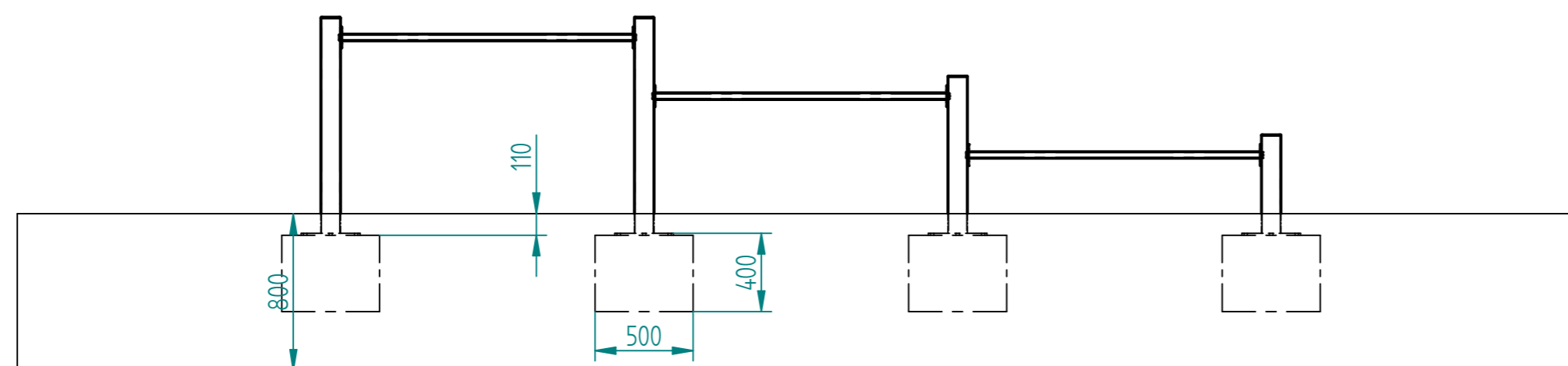



REVISION HISTORY			
REV	DESCRIPTION	DATE	APPROVED



Fundamentplan
 Betonzusammensetzung:
 C25/30 unbewehrt

OK Fundamente -100mm uOKG
 UK Fundamente -500mm uOKG
 Fallhöhe max.2,4m



	NAME	DATE	 TITLE CB_PushUpBars	
DRAWN	Suerbier	02/10/19		
CHECKED				
ENG APPR				
MGR APPR				
UNLESS OTHERWISE SPECIFIED DIMENSIONS ARE IN MILLIMETERS ANGLES ±XX° 2 PL ±XXX 3 PL ±XXXX			SIZE A2	DWG NO
			FILE NAME: CB_PushUpBars.dft	REV
			SCALE:	WEIGHT:
			SHEET 3 OF 3	