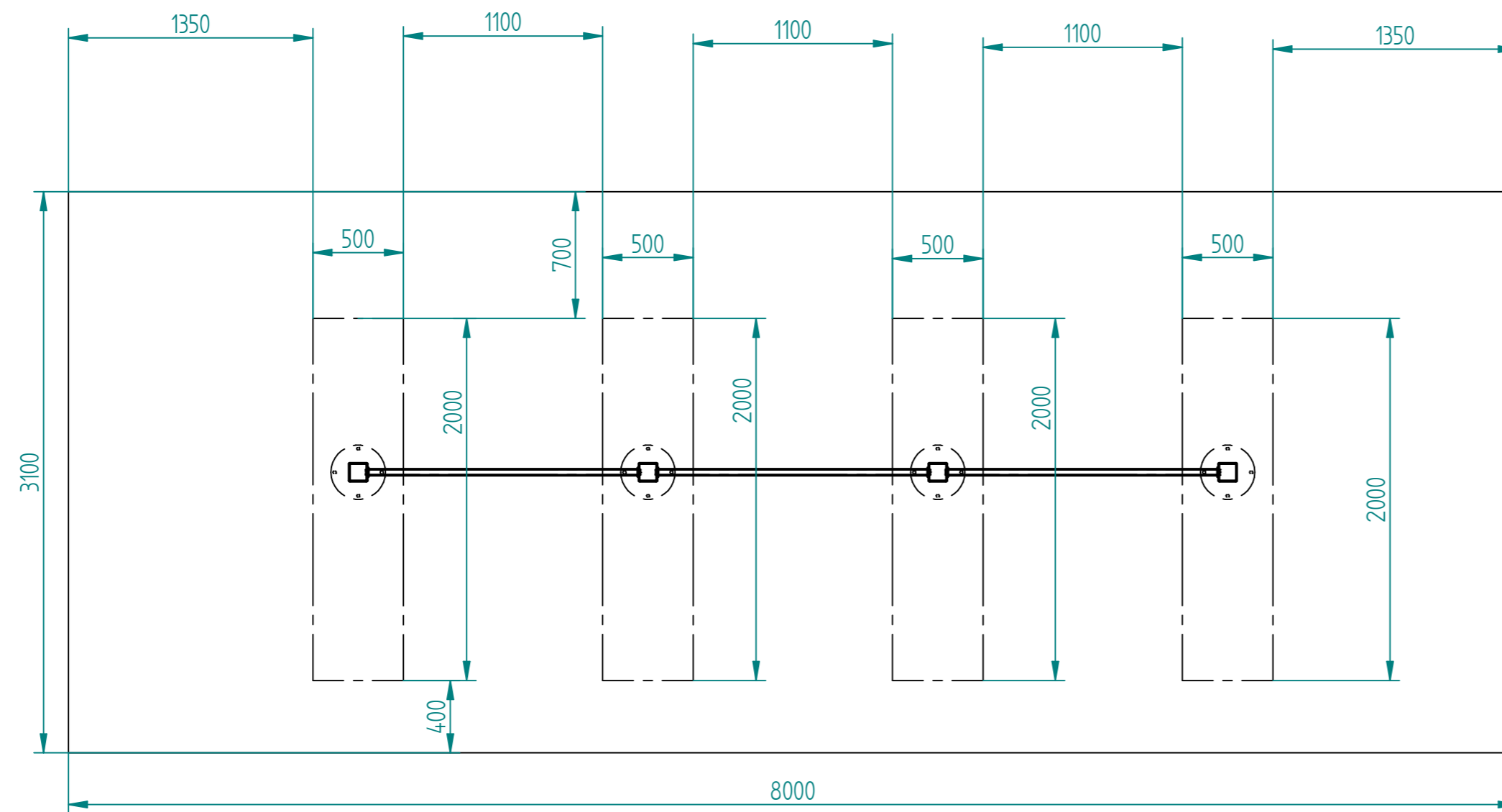
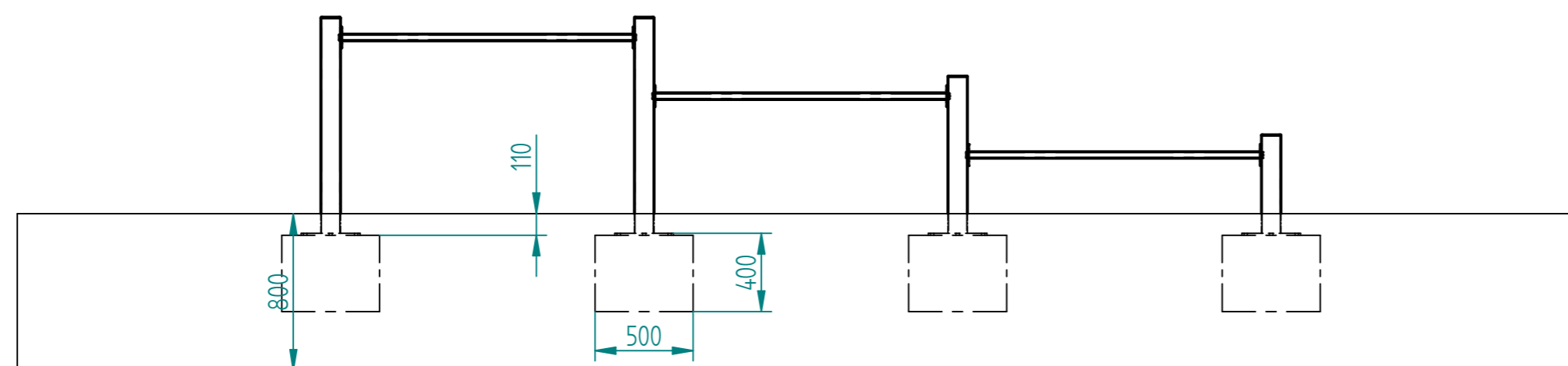



REVISION HISTORY			
REV	DESCRIPTION	DATE	APPROVED



Fundamentplan
 Betonzusammensetzung:
 C25/30 unbewehrt

OK Fundamente -100mm uOKG
 UK Fundamente -500mm uOKG
 Fallhöhe max.2,4m



	NAME	DATE	
DRAWN	Suerbier	02/10/19	
CHECKED			
ENG APPR			
MGR APPR			TITLE
UNLESS OTHERWISE SPECIFIED DIMENSIONS ARE IN MILLIMETERS ANGLES ±XX° 2 PL ±XXX 3 PL ±XXXX			CB_PushUpBars SIZE A2 DWG NO FILE NAME: CB_PushUpBars.dft SCALE: WEIGHT: SHEET 3 OF 3